

waterless urinals

Incorporating new **Aquanil™** technology

*Armitage
Shanks*



Waterless Urinals.

Setting the standard in water conservation as well as washrooms.

Armitage Shanks is one of the world's foremost manufacturers of high quality sanitaryware, with an exceptional heritage stretching back almost 200 years.

Today, our market-leading position stems not only from our experience in commercial bathrooms and washrooms, but also from innovative technologies and advanced products designed to improve hygiene and conserve valuable water resources.

In fact, our commitment to minimising water wastage is such that we work closely with Waterwise, the UK's foremost organisation dedicated to promoting the efficient use of water.

Water saving makes good environmental and financial sense. That's why we've introduced four new waterless options to our market leading urinals range. All incorporating **Aquanil™**, the most advanced water saving technology available, they take the concept of the waterless urinal to a completely new level.

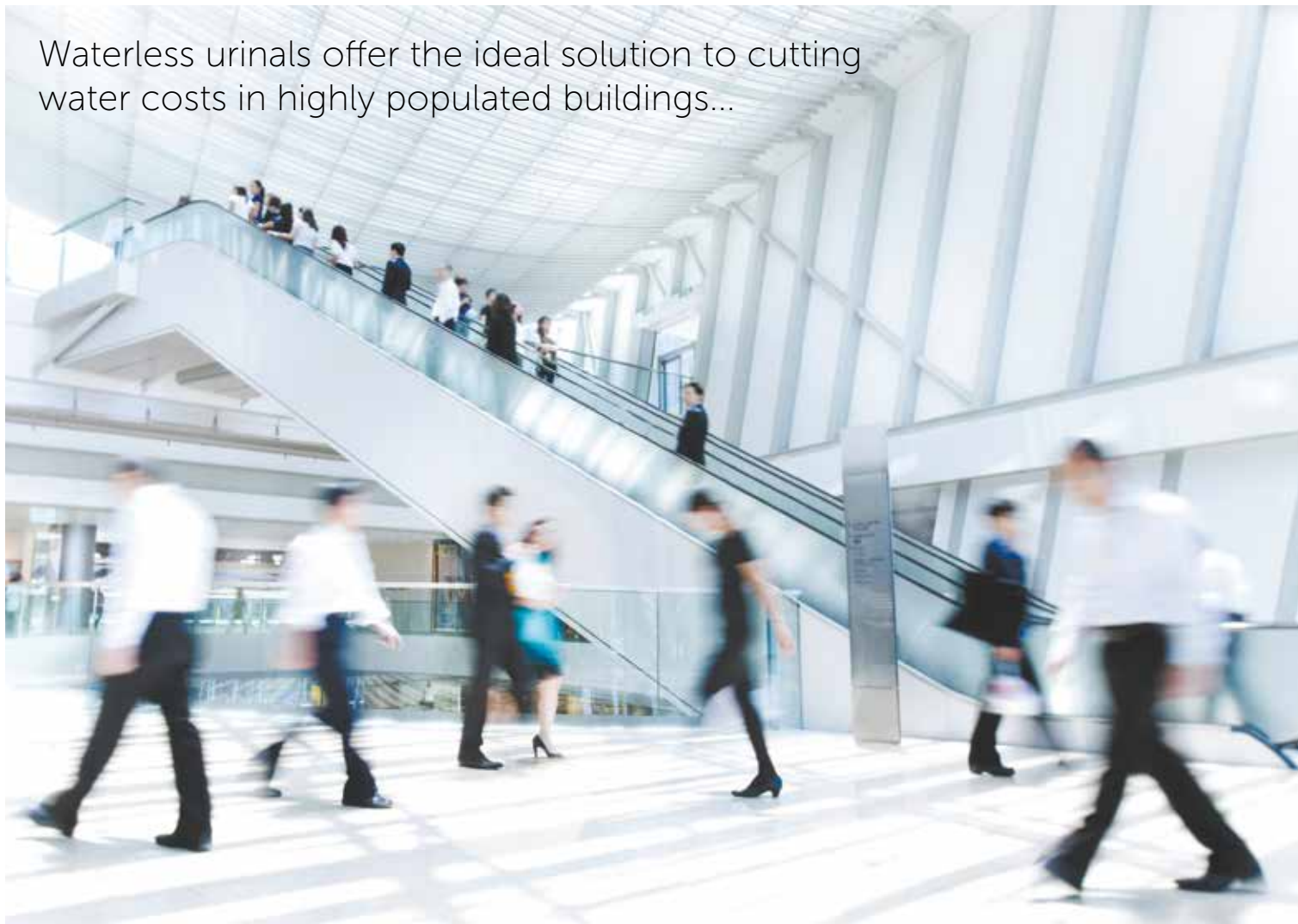


New Profile 21 Waterless Urinal

Aquanil™ 
Next generation waterless technology

*Armitage
Shanks*

Waterless urinals offer the ideal solution to cutting water costs in highly populated buildings...



...or to provide modular washroom facilities in remote environments.



Why waterless?

Urinals traditionally use water in large quantities. Up to 87,000 litres per unit per year, in fact. Multiply that by 4 or 5 and the volumes speak for themselves. So switching to waterless urinals can not only make a major contribution to conserving water, but can significantly reduce a building's annual running costs.

Waterless can also be an invaluable option where water supply is a problem, from remote locations to historic buildings – anywhere that would need an impractical amount of additional plumbing for a standard installation.

Other advantages include improved space-saving aesthetics and better hygiene, with no cisterns needed. Maintenance costs are much lower too.

Waterless technology first appeared in the early 1990s and has since been adopted widely, particularly in the US – since 2005 all of Arizona's public buildings have included waterless urinals, and the US Army has installed only waterless since 2010 – but also in Australia and Germany.

And now, with Aquanil™ technology, Armitage Shanks has extended the waterless options in its extensive urinals range.

Aquanil™ 
Next generation waterless technology



Armitage Shanks urinals

now with the option of waterless.

The Armitage Shanks urinals range is well-known for its superb quality and comprehensive choice of styles – and with our new **Aquanil™** waterless technology also available, it can now deliver real efficiency in water conservation.

Aquanil™ will be available with our market leading HygenIQ models – incorporating our unique ‘fin’ feature that reduces urine splashback by 90%, to minimise harmful bacteria growth on washroom surfaces.

We’re also pleased to announce the introduction of our latest urinal model - Profile 21 Waterless.

Retrofitting

The new **Aquanil™** technology can also be retrofitted into any existing Armitage Shanks urinal.

NEW Profile 21 Waterless Urinal

This brand new addition to our urinals range is now available waterless. Profile 21’s clean lines and contemporary design make it the ideal choice for the modern washroom. Purpose-designed for ducted services, incorporating an easy clean bowl and concealed outlet.



Technical Specifications

- Material** Vitreous China
- Weight** Urinal 16.7kg
- Colours** Available in White (01)
- Standards** Vitreous China to BS 3402

Profile 21 Waterless Urinal, complete with new **Aquanil™** cartridge. All fittings, waste pipe and service key included.

Code: E570301

NB: Replacement **Aquanil™** cartridges are readily available see page 10 for details.

Contour HygenIQ Waterless

An innovative, completely enclosed design for a modern look.



Technical Specifications

- Material** Vitreous China
- Weight** Urinal 18.5kg
- Colours** Available in White (01)
- Standards** Vitreous China to BS 3402

Contour HygenIQ Waterless Urinal, complete with new **Aquanil™** cartridge. All fittings, waste pipe and service key included.

Code: S004301

NB: Replacement **Aquanil™** cartridges are readily available see page 10 for details.





Sanura HygenIQ Waterless 40cm

Smart slimline design with exposed waste fittings.



Unique 'fin' design
reducing splash
by 90%

Water saving
Aquanil™ cartridge

Technical Specifications

- Material** Vitreous China
- Weight** Urinal 10.5kg
- Colours** Available in White (01)
- Standards** Vitreous China to BS 3402

Sanura HygenIQ Waterless Urinal, complete with new **Aquanil™** cartridge. All fittings, waste pipe and service key included.

Code 40cm: S004501

NB: Replacement **Aquanil™** cartridges are readily available see page 10 for details.

Sanura HygenIQ Waterless 50cm

Smart slimline design with exposed waste fittings.



Unique 'fin' design
reducing splash
by 90%

Water saving
Aquanil™ cartridge

Technical Specifications

- Material** Vitreous China
- Weight** Urinal 13.5kg
- Colours** Available in White (01)
- Standards** Vitreous China to BS 3402

Sanura HygenIQ Waterless Urinal, complete with new **Aquanil™** cartridge. All fittings, waste pipe and service key included.

Code 50cm: S004401

NB: Replacement **Aquanil™** cartridges are readily available see page 10 for details.

How Aquanil™ technology works.

This innovative technology uses Bernoulli's principle of fluid dynamics, supported by advanced biotechnology, to set new standards of efficiency and hygiene. It essentially consists of a simple cartridge, offering absolute hygiene while using absolutely no water.

Cartridge

The cartridge consists of a valve and a fragrance ring, the valve has a non return feature allowing liquids to pass through before closing. Helps Prevent odours rising from the drain.

Fragrance Ring

As well as creating a pleasant fragrance, the ring acts as a life cycle indicator. During its life the block fades until it is transparent, at this stage the cartridge should be checked to see if it needs replacing.

Service Key

The easy to use tool for replacing the cartridge.

Cartridge Holder

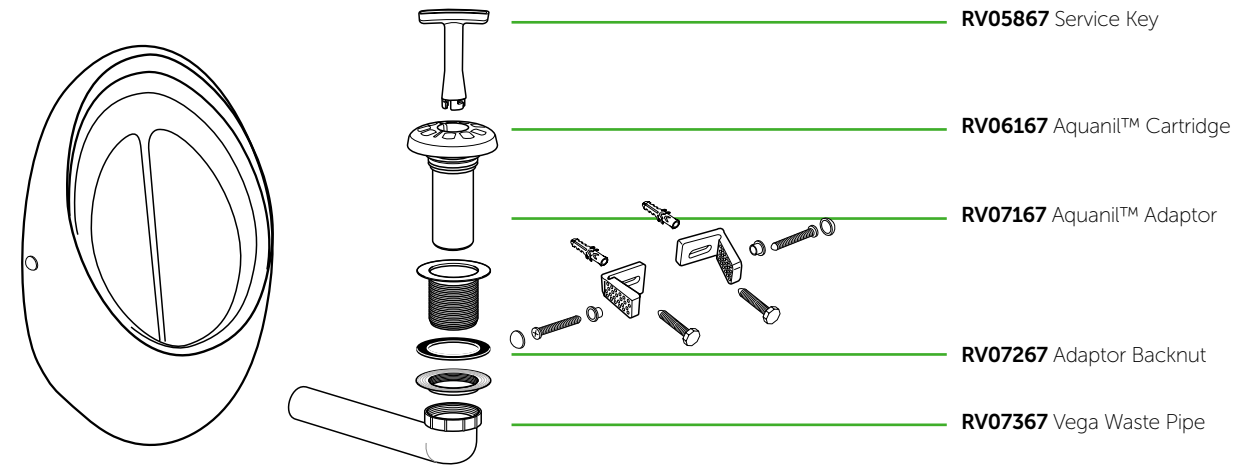
The fitting for the cartridge in the urinal.

- Fits standard 38mm wastes
- No water flush required
- Liquid flows into the drain by gravity, no siphon required
- Non-return valve helps prevent back flow of liquid or or drain gases
- Cartridge lasts approximately 7500 usages, so each urinal will use an average of 3 valves per year
- This absolutely must be removed and is a legal liability
- Features a Fragrance Block that produces a pleasant smell and helps break down bacteria build up in waste
- Fragrance Ring lightens in colour as it is used - see at a glance when the valve needs replacing
- Cartridge replacement is easy and inexpensive
- Simple cleaning with a pH neutral surface cleaner, no need for bleach, chlorine, acid or other harsh agents

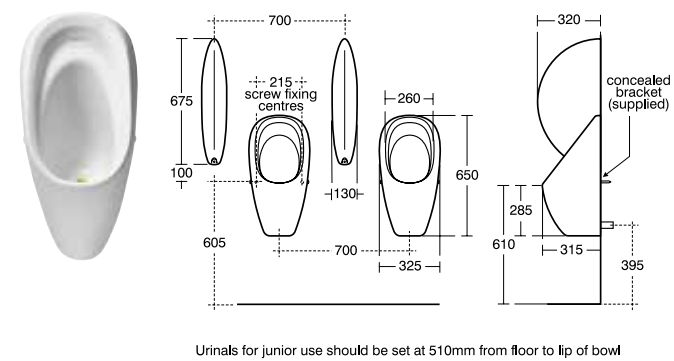


Technical Specifications

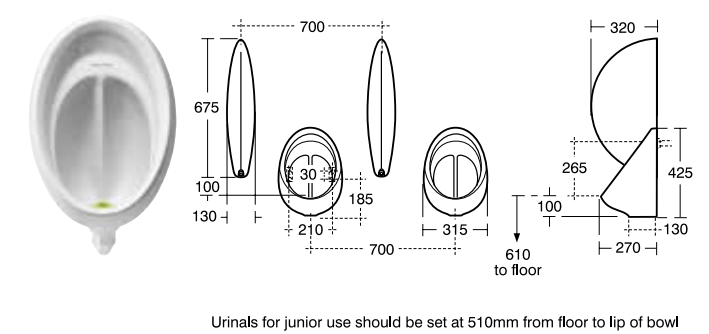
Waterless Urinal Pack contents applicable to: New Profile 21 Waterless Urinal Pack Code E570301, Contour HygenIQ Waterless Urinal Pack Code S004301, Sanura HygenIQ Waterless 40mm Urinal Pack Code S004501, Sanura HygenIQ Waterless 50mm Urinal Pack Code S004401.



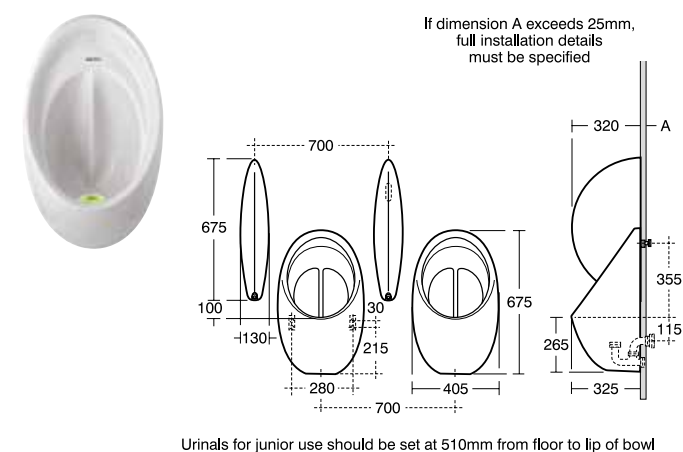
NEW Profile 21 Waterless Urinal



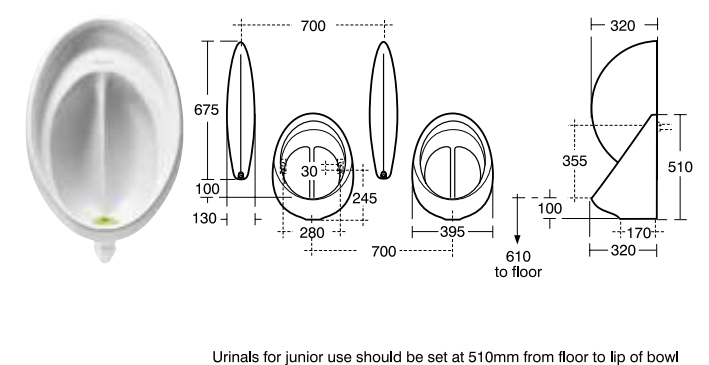
Sanura HygenIQ Waterless 40cm



Contour HygenIQ Waterless



Sanura HygenIQ Waterless 50cm



Simple replacement



Insert the Service Key into the used valve. Turn anti-clockwise to unscrew the cartridge from the holder.



Dispose of the used cartridge into regular household waste.



With a slight counterclockwise twist, engage the Service Key into the new cartridge.



Using the Service Key, screw the cartridge clockwise into the cartridge holder until the cartridge sits evenly.



Spray urinal with microbiological cleanser. Do not wipe afterwards.



Replacement **Aquanil™** cartridges readily available direct from www.fastpart-spares.co.uk or from selected plumbers and builders merchants. Please quote product code **RV06167**

Armitage Shanks

Armitage

Rugeley

Staffordshire

WS15 4BT

Tel 01543 490253

www.thebluebook.co.uk

Armitage Shanks

2nd Floor

Unit 3013 Lake Drive

Citywest Business Campus

Tallagh

Dublin 24

Tel 00353 4564525

P1800 09/15