

TONIC II
DESIGNED
FOR LIVING



A
BEAUTIFUL
USE
OF
SPACE



A BEAUTIFUL USE OF SPACE

At Ideal Standard we believe bathrooms should be living places, not just functional spaces. For us, they're far more than just places to brush your teeth. They should be places to relax, to make yourself beautiful, to refresh and re-energise.

So for the past 100 years we have been designing products to help you create your ideal bathroom. Whether that is a place to escape, a boudoir, a playroom or a sanctuary, it is always a beautiful use of space.

For further inspiration visit Idealstandard.com

Inspirational design & innovation	2
Shaping up	10
Ceramics	12
Furniture	16
Bathing	26
Fittings	30
Technical Specification	34

INSPIRATIONAL DESIGN & INNOVATION

Tonic II's clean, beautiful lines create calm and serenity allowing you to transport yourself from today's hectic lifestyle and truly relax. Each piece is carefully considered and benefits from innovative features allowing you to transform and making your experience in the bathroom one of peace and tranquillity.

The subtle beauty and pure design of the Tonic II range was created by design agency ARTEFAKT who's owners Achim Pohl and Tomas Fiegl are passionate about crafting bathroom solutions to work for every individual's requirements. The versatility of the range is showcased through various options for large, small and guest bathrooms.

So whatever your bathroom size, you can be sure that Tonic II has a solution to best suit your space and individual tastes. Choose from a range of beautiful ceramic, which can seamlessly work with furniture pieces to create a clean aesthetic and pair with stunning baths for an iconic centrepiece. Partnered with innovative taps and mixers, each with a sleek, modern design, the total Tonic II bathroom solution allows you to truly enjoy the bathroom experience, whether you need a space to relax, or a space for transformation.

Whatever products you choose from the stylish Tonic II range, you can be sure of a contemporary, luxurious bathroom with everlasting design. The modern, yet classic styling enables Tonic II to achieve a timeless quality that will continue to look its best for years to come.





CREATE A STYLISH AND LUXURIOUS SPACE WITH TONIC II'S MODERN AND ELEGANT LINES

PURE CLARITY

At Ideal Standard, we believe a bathroom serves more of a purpose than quality design alone. Paired with innovation and functionality, a bathroom becomes a complete solution that meets the demands of today's complicated lifestyle. A bathroom is a haven for those escapism moments, it's a room of vital importance in your home and it's a space for transformation and beauty. Tonic II allows you to truly feel at home with subtle, pure lines and a delicately chic colour palette, that works harmoniously in any surrounding.

Choose from gorgeously shaped vessels designed to stand proud atop furniture pieces or your bathroom worktop. For those preferring a more seamless aesthetic, choose a vanity unit and pair with a beautiful basin unit in a choice of luxurious colours such as glossy white, light grey or light brown or even the stylish wood effect in light grey or light brown, sure to add sophisticated glamour to your bathroom.



Tonic II mirrors are provided with a sensor light and antisteam technology which make them perfect for getting ready.



The very latest in flushing technology helping you combine style and performance. See page 9 for details.





THE ALLIANCE OF FORM AND FUNCTION

Tonic II is more than just a beautifully designed range to wow and entice. It's a range perfectly tailored to make your life easier. Each product is carefully considered to make using your bathroom space all the more enjoyable.

A wide range of sizes and models available allows you to tailor create your perfect bathroom. The very latest technology is built into every product; sensor ambient lighting; ingenious, spacious storage options with soft-close features; water saving technology, brand new rimless WCs and ground-breaking AquaBlade™ flush technology: together these unique features help make Tonic II the paramount choice for a designer, contemporary bathroom that delivers against both form and function.

A brand new model released within the Tonic II range is the rimless wall-hung WC, which increases cleanliness and hygiene in your bathroom. The rimless WC bowl reduces bacteria build up, keeping your toilet fresh.

Space and storage facilities within your bathroom are of vital importance to maintain the upkeep of a tidy and organised space. Not only does Tonic II furniture provide ample storage solutions with robust glass shelves and soft-close drawers, our basin storage units feature a brand new unique Space Idealflow siphon. Usually prevalent with integrated furniture and basin solutions, almost an entire drawer or shelving space is disrupted with the waste system. Ideal Standard have introduced a new space-saving siphon which contours away from the middle of the basin unit, so there is no interference with the internal drawer.





AQUABLADE™
TECHNOLOGY
THE ULTIMATE
COMBINATION
OF STYLE &
PERFORMANCE





Introducing AquaBlade™ flush technology, a unique development exclusively from Ideal Standard, which breaks the mould of usual WC flush systems. Unlike typical flush systems, AquaBlade™ covers every inch of ceramic, keeping the toilet bowl immaculately clean. Available across close-coupled, wall-hung or back to wall WCs.

At Ideal Standard, we know that you want your bathroom suite to look as stylish as possible whilst giving you the very best in performance and that maintaining a clean environment helps to achieve the perfect aesthetic. That's why we've created a brand new innovation within the new Tonic II toilet. This uniquely designed WC features sleek and clean lines that look both stylish and contemporary in any bathroom. The smooth, gently curved surface with no overhanging rim makes cleaning much easier. Combined with the new AquaBlade™ technology, the Tonic II WC sets new standards in both toilet design and optimum flush performance. The exclusively engineered integrated channel generates an incredibly powerful, smooth and homogenous water flow from the top of the bowl. AquaBlade™ cleans more of the ceramic surface, even at low water volumes. In traditional box-rim toilets, approximately 20% remains unwashed after flushing. However, AquaBlade™ washes 100% of the surface beneath the slot and cleans every part of the WC, including the back. So not only do you save water, the combination of elegant, modern design with easy to clean form and the very best in flushing performance, makes this WC with AquaBlade™ the superior choice for you to enjoy a pristine bathroom.



SHAPING UP

Whatever your available space and personal preferences, Tonic II has the solution. When designing your ideal bathroom, begin by imagining the impression you want it to give, and how this could fit in with the way you and the others in your home will use it.

Decide which area is most important to you. If it's the bath, take that as your starting point and arrange everything else around it. Then you can really begin to explore the possibilities and set about creating a space that is both inspired and in harmony with the way you live.

The floorplans opposite illustrate just a few of the many possible bathroom configurations that will transform different-sized rooms. From cloakroom or the smallest en-suite to larger bathrooms, Tonic II has a range of available models and size options to suit your space perfectly.

A professional tip: keep storage and lighting central to your plans. Ideal Standard has a range of flexible storage options that help keep bathrooms clear and clutter-free, while clever lighting can create exactly the visual impact and mood you want.

1. Small room:

- **K086801** Tonic II vanity 500mm
- **A6330AA** Tonic II single lever Basin mixer PICCOLO 5L/min, w/ PUW
- **R4301WG** Tonic II basin unit 500mm - White
- **R4357AA** Tonic II handle 500mm - Chrome
- **R4341WG** Tonic II open shelf 500 - White
- **T7824BH** Softmood mirror 450mm
- **K316701** Tonic II wall-hung bowl Aquablade
- **K262301** Strada shower tray 1000x800mm
- **T7307EO** Kubo shower door 1000mm
- **T7174EO** Kubo lateral screen 800mm
- **A6246AA** Idealrain Luxe shower combination with Ceratherm 100 new

2. Medium room:

- **K083701** Tonic II vanity 600mm
- **A6326AA** Tonic II single lever Basin mixer 5L/min, w/ PUW
- **R4302FA** Tonic II basin unit 600mm - Glossy light grey
- **R4358WG** Tonic II handle 600mm - White
- **R4307FA** Tonic II side unit 350mm - Glossy light grey
- **R4315FA** Tonic II high cabinet 350mm - Glossy light grey
- **R4355AA** Tonic II handles 350mm (2 pcs) - Glossy white
- **T7858BH** Dea anti-steam mirror 600mm
- **K316701** Tonic II wall-hung bowl Aquablade
- **K523601** Tonic II wall-hung bidet
- **A6336AA** Tonic II bidet mixer
- **K518201** Ultraflat rectangular shower tray 1200x800mm
- **T7338EO** Kubo shower enclosure 1200mm - niche installation
- **A6339AA** Tonic II single lever shower mixer
- **B0025AA** Idealrain shower head 300x300mm

3. Large room:

- **K0834FM** Tonic II symmetric vessel with brown rim
- **R4332SA** Tonic II glass worktop for symmetric vessel 1000mm
- **A6334AA** Tonic II wall-mounted single lever Basin mixer
- **R4304FE** Tonic II basin unit 1000mm - Wood light grey
- **R4360FM** Tonic II handle 1000mm - Brown
- **R4323FE** Tonic II worktop as shelf 1000mm - Wood light grey
- **R4312FE** Tonic II basin structure 1000mm - Wood light grey
- **K316501** Tonic II wall-hung bowl rimless
- **A6336AA** Tonic II bidet mixer
- **K523601** Tonic II wall-hung bidet
- **T7827BH** Softmood mirror 1000mm
- **A6348AA** Tonic II Bath/Shower mixer rim mounted 3-hole with spout
- **E397801** Tonic II D-shaped 1800x800mm

4. X-large room:

- **K0834FM** Tonic II double vanity 1200mm
- **R4313FF** Tonic II basin structure 1200mm - Wood light brown
- **A6326AA** Tonic II single lever Basin mixer 5L/min, w/ PUW
- **R4361FM** Tonic II handle 1200mm - Brown
- **R4324FF** Tonic II worktop as shelf 1200mm - Wood light brown
- **R4313FF** Tonic II basin structure 1200mm - Wood light brown
- **R4348KP** Tonic II mirror 1200mm
- **K317301** Tonic II back to wall bowl Aquablade
- **K523801** Tonic II back to wall bidet
- **A6336AA** Tonic II Bidet mixer
- **E398101** Tonic II free-standing bath 1800x800mm
- **A6347AA** Tonic II free-standing single lever bath mixer

1.



2.



3.



4.





CERAMICS

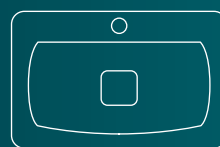
CONTOURED AND CONSIDERED

Tonic II presents an incredible selection of beautifully proportioned, distinctively contoured, refined ceramics. The smooth, pure lines create an effortless aesthetic and the entire collection presented together creates a feeling of purity and serenity.

Vessels and vanities, toilets with new AquaBlade™ flushing technology or rimless options and bidets: the luxury pieces come in different sizes and the basins are available with the addition of a coloured rim to match your chosen furniture colour palette. Whatever your space or individual tastes, you're sure to find a solution from within the Tonic II range.



Vessel



Vanity



WC



Bidet



Tonic II basin structure, worktop asymmetric vessel, handle, vessel asymmetric, vessel mixer 5 l/min, mirror, worktop basin structure as shelf, wall hung bowl with AquaBlade™ technology and soft close seat.

CHOOSE YOUR CERAMIC

VESSELS

Create an eye-catching design statement with the beautiful, soft geometric lines of the Tonic II vessels, designed to pair with furniture units or to stand proud atop worktop surfaces, the perfect solution for those preferring a more refined and elegant bathroom.



Vessel Asymmetric
550mm

Vessel Symmetric
550mm

VANITIES AND SEMICOUNTERTOPS

Choose from a wide range of sizes from the larger double vanity basin, through to smaller guest solutions for en-suites or cloakrooms. Whichever you choose, the elegant curved shape will look contemporary and elegant in your bathroom. See opposite for installation options.



Double Vanity
1200mm no taphole

Double Vanity
1200mm

Vanity
1000, 800, 600 mm

Mini Vanity
520mm



Semi-Countertop
550mm



Guest Basin Asymmetric
450mm - Left



Guest Basin Asymmetric
450mm -Right

INSTALLATION OPTIONS

We appreciate that everybody has different tastes which is why our Tonic II vanities and vessels are compatible with basin units for those who prefer to keep all of their bathroom essentials out of sight. Every vanity and vessel is also compatible with basin structures for a chic, hotel appearance. Vanities can also be installed with semi pedestals or siphons for those preferring the more minimal look.



Vanity with storage unit



Vanity with basin structure



Vanity with semi-pedestal



Vanity with siphon

WCS

The Tonic II range of toilets feature sophisticated design and the very latest in product innovation. Select the look that best suits your requirements, from close-coupled, back to wall or wall-hung and know that you're getting the best aesthetic and flushing performance with AquaBlade™. Alternatively, choose the rimless wall-hung WC option for a more futuristic look.



Rimless wall-hung bowl



Aquablade wall-hung bowl



Aquablade Floorstanding back to wall bowl



Aquablade Close-couple back to wall bowl



Aquablade Close-couple open back to wall bowl

BIDETS

The Tonic II range of bidets completes the ceramic in your beautiful bathroom. Choose from wall-hung or floor-standing to create an entire bathroom solution with beautiful aesthetic.



Wall-hung bidet



Floor-standing bidet

FURNITURE

DESIGNED TO ORDER

At Ideal Standard, we appreciate that your bathroom space has to be both beautiful and functional, providing enough space and storage capabilities to order and organise the usual paraphernalia and products that are essential to a working bathroom. Therefore the furniture solutions from the Tonic II range are excellently thought out and considered, helping to keep surfaces free of clutter and maintaining a tidy and well organised bathroom. The drawer space is also cleverly uninterrupted as a brand new siphon, Space Idealflow has been created, allowing complete freedom of space within the drawer.

Choose from a range of modular furniture pieces to create the perfect look and functionality for your space each available in a range of subtle colours to suit your chosen colour scheme and personal taste. Pair basin units with a contrasting metal handle in a glossy white, chrome plated or mat brown with a sumptuous soft-touch effect.



Basin units



Cabinets



Mirrors

Tonic II basin unit 1 drawer, handle for basin unit, vanity with brown rim, side unit 1 door, basin structure 800mm, worktop for basin structure, high cabinet, handle for cabinet, Basin mixer 5 l/min and Dea mirror.





CHOOSE YOUR FURNITURE

BASIN UNITS

Available in a range of sizes and colours and designed to work seamlessly with vanity basins and vessels, these basin units not only look the part, they enable the rest of your bathroom to have a feeling of serenity with the reduction of clutter.



Basin Storage Unit
1200mm



Basin Storage Unit
1000mm



Basin Storage Unit
800mm



Basin Storage Unit
600mm



Basin Storage Unit
500mm



Guest basin unit
450mm (Left & right platform)

BASIN STRUCTURES

Basin structures offer both a bold design statement and an additional shelving solution.



Basin structure
1200 for vanities, symmetric
vessels or shelves



Basin structure
1000 or 800mm for vanities,
symmetric and asymmetric
vessels or shelves



Basin structure
600mm for vanities,
symmetric vessels
or shelves



Basin structure
500mm for vanities
or shelves



Basin structure
450mm for guest basins
or shelves

MIRRORS

All of the mirrors within the Tonic II are provided with a sensor light which provides the perfect ambiance and delicate lighting to assist with beautifying and transformation. Each is also fitted with intelligent antisteam technology, keeping your mirror clear for when you need it.



Antisteam mirror with light
1200mm



Antisteam mirror with light
1000mm



Antisteam mirror with light
800mm



Antisteam mirror with light
600mm



Mirror with light
500mm

CABINETS

Tonic II cabinets are available in two widths so you can create your perfect furniture arrangement depending on the space available. These gorgeous examples of cabinets feature glass shelves and drawers in the 600mm option to store all of your beauty and bathroom products. With luxurious touches such as push and open doors and soft-close drawers, they will help your bathroom look its best.



High Cabinet
600mm



High Cabinet
350mm

HANDLES

Add an indulgent handle to your furniture pieces with a choice of three beautiful colours; glossy white, chrome plated or the luxurious soft-touch effect mat brown. Not only do these additional handles look great with your chosen piece of furniture, but they also act as a towel rail for convenience and added style.



Handle
1200mm



Handle
1000 - 800 - 600mm



Handle
500 - 450 - 350mm

CHOOSE YOUR FURNITURE

WORKTOPS

These stunning worktops are available in all of the furniture colours for you to match to your chosen look effortlessly. They can also be used alongside the vessels by drilling the tap hole into the worktop, completed onsite by your installer, or as an additional shelf on top of a basin structure.



Worktop for basin structure
1200 - 1000mm



Worktop for basin structure
800 - 600mm



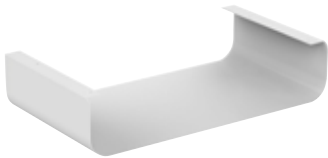
Worktop for basin structure
500mm



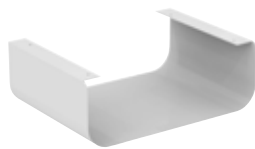
Worktop for basin structure
450mm

OPEN SHELVES

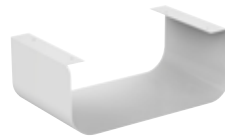
Choose the perfect shelving for your chosen basin unit and give your furniture the storage capability to de-clutter your beautiful bathroom.



Open shelf
800 - 600mm



Open shelf
500mm



Open shelf
450mm



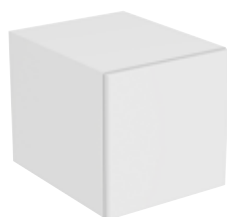
Open shelf
350mm

SIDE UNITS

Tonic II side units add to the modular feeling from the furniture solutions. A wall-mounted installation gives further storage space alongside your basin units and structures. Luxurious touches such as push and open doors and beautiful glass shelves increase the storage potential in your bathroom.



Side unit
600mm



Side unit
350mm



Guest side unit

GLASS WORKTOPS

Tempered glass in an elegant white finish, these worktops are fully compatible with the Tonic II symmetrical and asymmetrical vessels and are available with and without a tap hole for complete flexibility in your Basin mixer positioning.



Worktop for symmetric vessel
1200mm



Worktop for symmetric vessel
1000 - 800mm



Worktop for symmetric vessel
600mm



Worktop for asymmetric vessel
1000 - 800mm

DIVIDERS & BOXES

Yet further storage ideas to create your furniture solution for your personal items.



Divider



Transparent box with lid

LIGHT

Add the LED light to your order and install within your furniture. The light will automatically come on when movement is detected and drawers are opened. Allowing perfect clarity within your furniture piece.



LED light

FINISH WITH STYLE

Tonic II presents furniture in a range of stunning and elegant finishes to transform your bathroom into a place of subtle style and pure elegance, giving you the freedom to express your personal style. Choose from glossy white, light grey or light brown for an air of purity or select the wood effect in light brown or light grey for a striking, exclusive effect. Be sure to match your basin unit with a solid metal handle which contrasts beautifully in glossy white, chrome effect or a sumptuous soft-touch mat brown.



Wood light grey



Glossy light grey



Glossy white





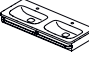










Glossy light brown



Wood light brown



Furniture		Ceramic									
		K0868 Mini Vanity 520mm	K0878 Vanity 600mm	K0879 Vanity 800mm	K0872 Vanity 100mm	K0873/74 Vanity 120mm	K0875 Guest Basin LH 450mm	K0876 Guest Basin RH 450mm	K0833 Asymmetric vessel 550mm	K0834 Symmetric vessel 550mm	
R4309	Basin Structure 500mm										
R4310	Basin Structure 600mm										
R4311	Basin Structure 800mm										
R4312	Basin Structure 1000mm										
R4313	Basin Structure 1200mm										
R4314	Basin Structure 450mm										
R4310 R4330	Basin Structure 600mm Worktop 600mm for symmetric vessel										
R4311 R4331	Basin Structure 800mm Worktop 800mm for symmetric vessel										
R4312 R4332	Basin Structure 1000mm Worktop 1000mm for symmetric vessel										
R4313 R4333	Basin Structure 1200mm Worktop 1200mm for symmetric vessel										
R4311 R4335	Basin Structure 800mm Worktop 800mm for asymmetric vessel										
R4312 R4336	Basin Structure 1000mm Worktop 1000mm for asymmetric vessel										

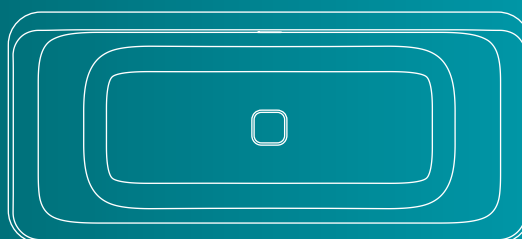
The handle is optional for all basin structures. Check technical specifications on page 48, 49 for reference.



BATHING

INDULGE IN LUXURY

The bath is an absolute necessity for those who want to relax and to indulge in their bathroom environment. Tonic II has beautiful solutions to work with every shape and sized room, from gorgeous free-standing baths that look stunning as a centrepiece, to D-shape and even rectangular options for a more standardised set-up. Each Tonic II bath mirrors the elegant design of the rest of the range to ensure your entire bathroom looks the part and each piece works in harmony with each other. Pair with gorgeous wall-mounted, rim-mounted or floor-standing bath and shower mixers for the perfect finishing touch.



Bathtubs



Tonic II freestanding bathtub, freestanding Bath/Shower mixer, wall hung bowl rimless with soft close seat, high cabinet 2 doors 2 drawers, handle for cabinet, basin unit, and handle for basin unit.

YOUR BATH

FREESTANDING

Tonic II freestanding baths offer an eye-catching aesthetic, making them iconic centrepieces well suited to taking pride of position in the middle of your modern bathroom.



Freestanding:
1800x800mm



BACK TO WALL

Tonic II also offers a range of alternative bathing solutions to work for every space and shaped bathroom. Choose from back to wall baths to sit against the length of a wall, or choose the rectangular options to position as part of a built-in installation, with or without panels.



D-shaped:
1800x800mm



Single-ended for drop-in:
1700x750mm
1800x800mm



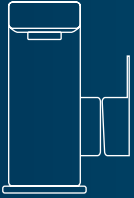
Double-ended for drop-in:
1700x750mm
1800x800mm

FITTINGS

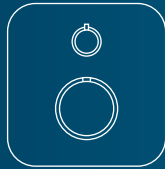
FINISHING TOUCHES

Tonic II encompasses a range of striking taps and mixers and thermostats to work across basins, bidets, showers and baths allowing you to add the perfect finishing touch to your bathroom. Packed with innovative technology, our brassware features water-saving capabilities through

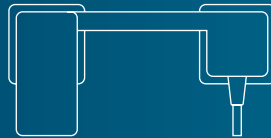
adjustable aerators restricting water to 5L per minute. Temperature limiters also ensure a cool body is maintained to the external of the tap for ultimate safety. Each is exceptionally easy to install, making this range of brassware the perfect addition to your contemporary bathroom.



Basin & Bidet mixers



Shower & Bath mixers



Tonic at a glance

- Soft geometrical shapes and contours
- Adjustable aerator for maximum comfort
- Advanced water-saving technology, with no flow loss
- Temperature limiter to make your bathroom safe



CHOOSE YOUR FITTINGS

BASIN, BIDET, SHOWER & BATH MIXERS

These beautiful chrome mixers not only look incredible and complete your Tonic II bathroom, but they are packed with the latest in brassware technology. Each has a temperature limiter to ensure the body of your cool chrome mixer does not get too hot and have a cascade aerator to ensure a water efficient flow of 5L per minute.



Basin mixer
 With and without
 pop-up waste



Basin Vessel mixer
 With and without
 pop-up waste



Basin high spout mixer
 With and without
 pop-up waste



Basin mixer piccolo
 With and without
 pop-up waste



Basin mixer
 Built-in with
 180mm spout



Basin mixer
 Built-in with
 225mm spout



Bidet mixer
 With pop-up waste



Shower mixer
 Wall-mounted



Shower mixer
 Built-in kit 2



Thermostatic built-in shower mixer
Built-in Kit 2



Thermostatic built-in Bath/Shower mixer
Built-in Kit 2



Bath/Shower mixer
Built-in Kit 2



Bath/Shower mixer
Wall mounted



Bath/Shower mixer 3 hole with spout
Rim mounted



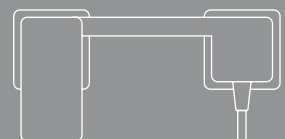
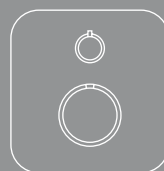
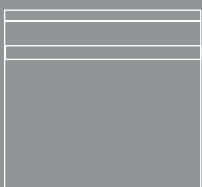
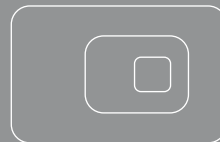
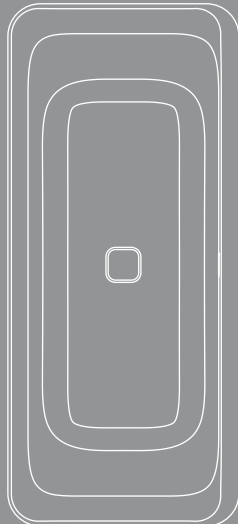
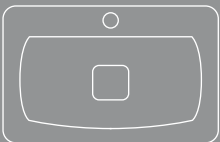
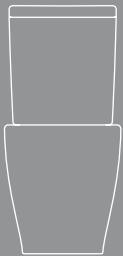
Bath/Shower mixer 3 hole without spout
Rim mounted

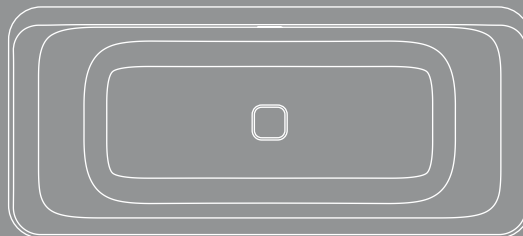
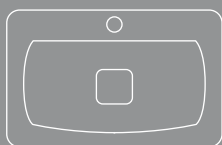
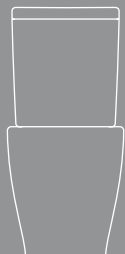
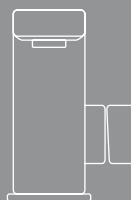
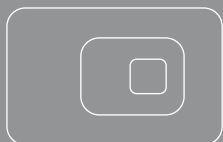
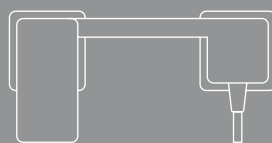
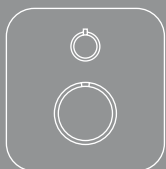


Freestanding Bath/Shower mixer
Kit 2

TECHNICAL SPECIFICATIONS

The following section provides necessary information for every product within the Tonic II range, inclusive of product partnership, innovation and technology included with each piece and measurements and dimensions so you can tailor-make the perfect solution for your bathroom. Be sure to correspond your furniture pieces with integral drawers, shelves and boxes to find your perfect storage solution. Remember to select your chosen colours and contrasting rims or handles where applicable. For further information relating to the Tonic II range, visit Idealstandard.com





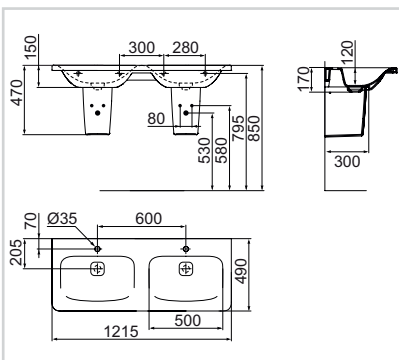
VANITIES

Double vanity 1200mm



Model	Ref.
White	K087001
Coloured rim	K0870FM

- 2 tap holes
- Idealflow hidden overflow
- 2 ceramic waste covers
- Wall mounted
- To be installed with furniture basin unit R4305
- Compatible with Softmoood furnitures and Strada extension



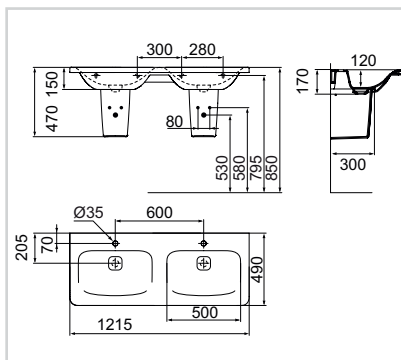
Double vanity 1200mm



Model	Ref.
White (non FBU)*	K087301
Coloured rim (non FBU)*	K0873FM

- 2 tap holes
- Idealflow hidden overflow
- 2 ceramic waste covers
- Wall mounted
- To be installed with Tonic II semi pedestal T429301 or basin structure R4313
- Chrome design siphon optional
- Standard Idealflow system N8326AA included

* Not to be used in combination with basin unit.

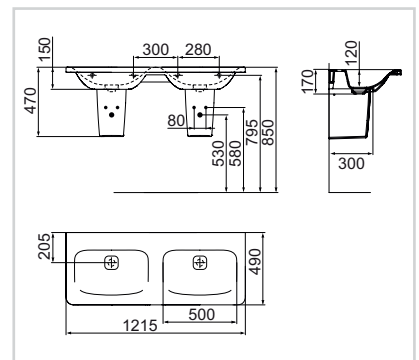


Double vanity 1200mm (no taphole)



Model	Ref.
White	K087101
Coloured rim	K0871FM

- No tap holes
- Idealflow hidden overflow
- 2 ceramic waste covers
- Wall mounted
- To be installed with furniture basin unit R4305
- Compatible with Softmoood furnitures and Strada extension



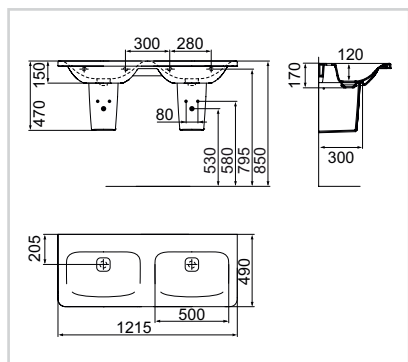
Double vanity 1200mm (no taphole)



Model	Ref.
White (non FBU)*	K087401
Coloured rim (non FBU)*	K0874FM

- No tap holes
- Idealflow hidden overflow
- 2 ceramic waste covers
- Wall mounted
- To be installed with Tonic II semi pedestal T429301 or basin structure R4313
- Chrome design siphon optional
- Standard Idealflow system N8326AA included

* Not to be used in combination with basin unit.

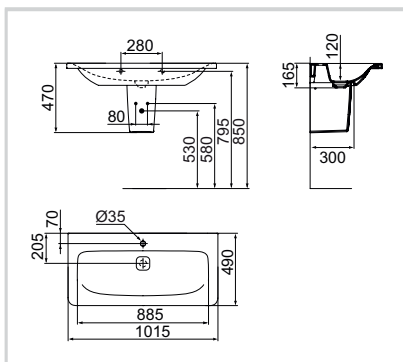


Vanity 1000mm



Model	Ref.
White	K086201
Coloured rim	K0862FM

- Tap hole
- Idealflow hidden overflow
- Ceramic waste cover
- Wall mounted
- To be installed with furniture basin unit R4304
- Compatible with Softmood furnitures and Strada extension



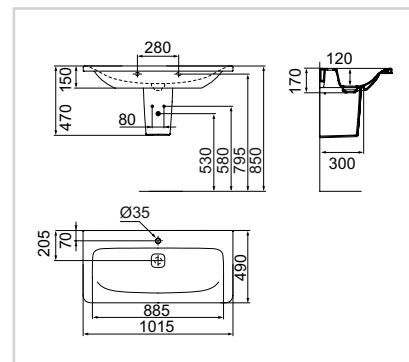
Vanity 1000mm



Model	Ref.
White (non FBU)*	K087201
Coloured rim (non FBU)*	K0872FM

- Tap hole
- Idealflow hidden overflow
- Ceramic waste cover
- Wall mounted
- To be installed with Tonic II semi pedestal T429301 or full pedestal T429201 or basin structure R4312
- Chrome design siphon optional
- Standard Idealflow system N8326AA included

* Not to be used in combination with basin unit.



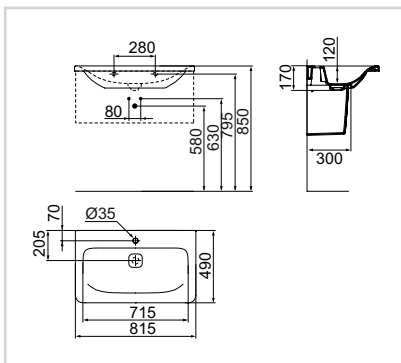
VANITIES

Vanity 800mm



Model	Ref.
White	K083901
Coloured rim	K0839FM

- Tap hole
- Idealflow hidden overflow
- Ceramic waste cover
- Wall mounted
- To be installed with furniture basin unit R4303
- Idealflow II space siphon included in basin unit 800mm
- Compatible with Softmood furnitures and Strada extension



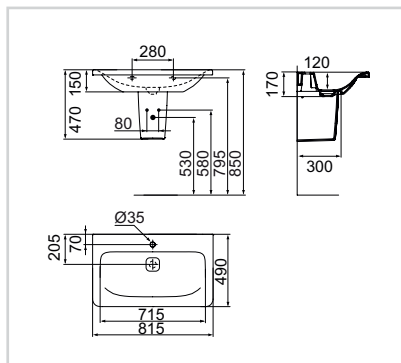
Vanity 800mm



Model	Ref.
White (non FBU)*	K087901
Coloured rim (non FBU)*	K0879FM

- Tap hole
- Idealflow hidden overflow
- Ceramic waste cover
- Wall mounted
- To be installed with Tonic II semi pedestal T429301 or full pedestal T429201 or basin structure R4311
- Chrome design siphon optional
- Standard Idealflow system N8326AA included

* Not to be used in combination with basin unit.

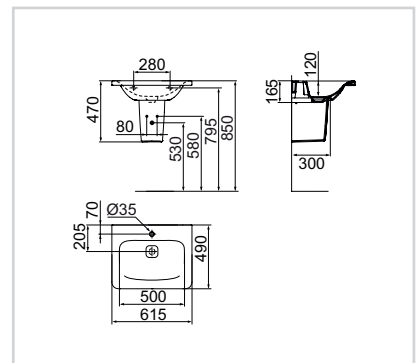


Vanity 600mm



Model	Ref.
White	K083701
Coloured rim	K0837FM

- Tap hole
- Idealflow hidden overflow
- Ceramic waste cover
- Wall mounted
- To be installed with furniture basin unit R4302
- Idealflow II space siphon included in basin unit 600mm
- Compatible with Softmood furnitures



COUNTERTOPS

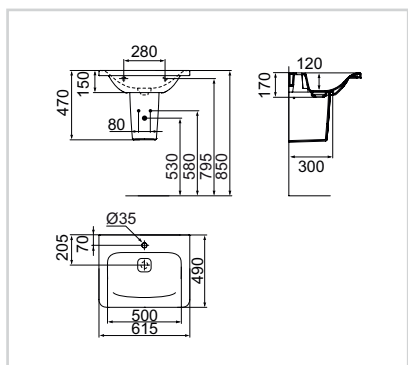
Vanity 600mm



Model	Ref.
White (non FBU)*	K087801
Coloured rim (non FBU)*	K0878FM

- Tap hole
- Idealflow hidden overflow
- Ceramic waste cover
- Wall mounted
- To be installed with Tonic II semi pedestal T429301 or full pedestal T429201 or basin structure R4310
- Chrome design siphon optional
- Standard Idealflow system N8326AA included

* Not to be used in combination with basin unit.

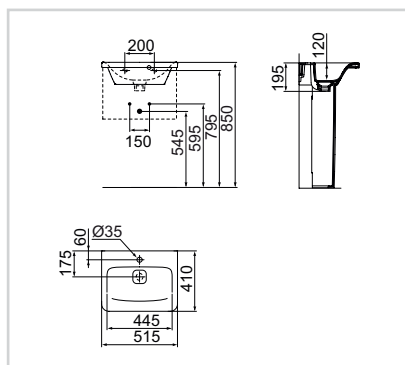


Vanity 520mm



Model	Ref.
White	K086801
Coloured rim	K0868FM

- Tap hole
- Standard overflow
- Ceramic waste cover
- Wall mounted
- To be installed with furniture basin unit R4301 or pedestal K011601 or basin structure R4309
- Chrome design siphon optional

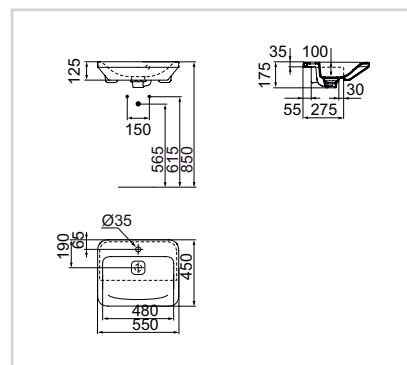


Semi-countertop 550mm



Model	Ref.
White	K083501
Coloured rim	K0835FM

- Tap hole
- Standard overflow
- Ceramic waste cover
- Cutting template and fixing kit included
- Chrome design siphon optional



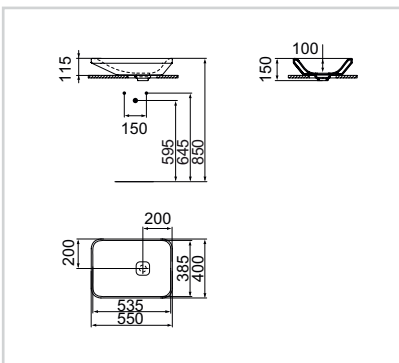
VESSELS

Vessel 550mm asymmetric



Model	Ref.
White	K083301
Coloured rim	K0833FM

- No tap hole
- No overflow
- Ceramic waste cover
- Cutting template and fixing kit included
- To be installed with Tonic II furniture basin units R4303 or R4304 & worktops R4335 or R4336 or basin structures with worktops R4322, R4335 or R4323, R4336
- Chrome design siphon optional
- Compatible with existing Dea and Softmood vessels cutting templates

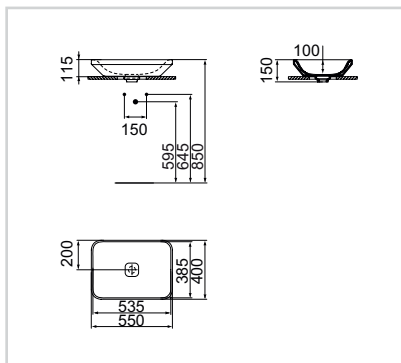


Vessel 550mm symmetric



Model	Ref.
White	K083401
Coloured rim	K0834FM

- No tap hole
- No overflow
- Ceramic waste cover
- Cutting template and fixing kit included
- Tonic II furniture basin units R4302, R4303, R4304 or R4305 or basin structures with worktops R4321, R4330, R4322, R4331, R4323, R4332 or R4324, R4333
- Chrome design siphon optional
- Compatible with existing Dea and Softmood vessels cutting templates



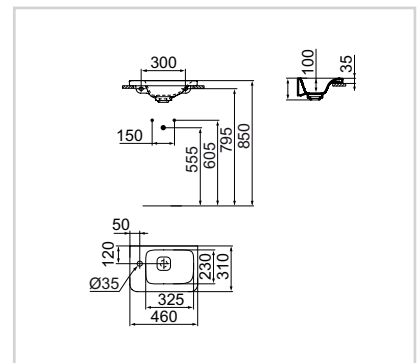
GUEST BASINS

Guest basin asymmetric 450mm - left platform



Model	Ref.
White	K086601
Coloured rim	K0866FM

- Tap hole
- Idealflow hidden overflow
- Ceramic waste cover
- Wall mounted
- To be installed with Tonic II Guest basin unit R4318 (New Idealflow Space included in furniture)



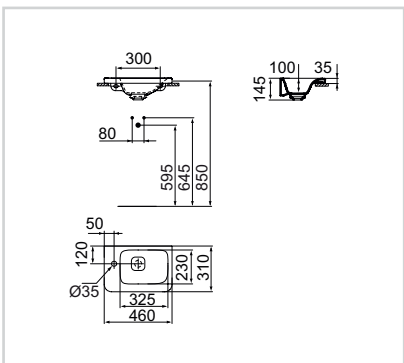
Guest basin asymmetric 450mm - left platform



Model	Ref.
White (non FBU)*	K057501
Coloured rim (non FBU)*	K0875FM

- Tap hole
- Idealflow hidden overflow
- Ceramic waste cover
- Wall mounted
- To be installed with Tonic II basin structure R4314
- Chrome design siphon optional
- Standard Idealflow system N8326AA included

* Not to be used in combination with basin unit.

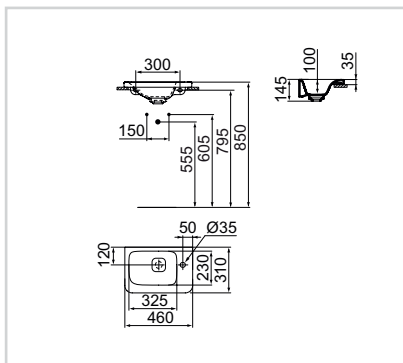


Guest basin asymmetric 450mm - right platform



Model	Ref.
White	K086701
Coloured rim	K0867FM

- Tap hole
- Idealflow hidden overflow
- Ceramic waste cover
- Wall mounted
- To be installed with Tonic II Guest basin unit R4306 (New Idealflow Space included in furniture)



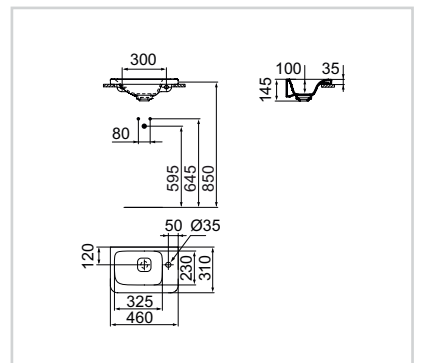
Guest basin asymmetric 450mm - right platform



Model	Ref.
White (non FBU)*	K087601
Coloured rim (non FBU)*	K0876FM

- Tap hole
- Idealflow hidden overflow
- Ceramic waste cover
- Wall mounted
- To be installed with Tonic II basin structure R4314
- Chrome design siphon optional
- Standard Idealflow system N8326AA included

* Not to be used in combination with basin unit.



WCS

Rimless wall-hung bowl

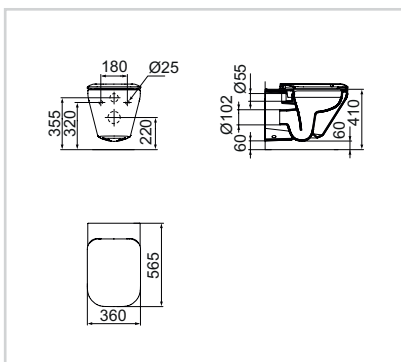


Model	Ref.
White	K316401

- New Ideal Standard Rimless technology
- Slim seat
- Fully hidden wall fixations
- Low flushing 4,5/3 litres
- Easy removable seat

Model	Ref.
White	K316501

- New Ideal Standard Rimless technology
- Slim seat soft closing
- Fully hidden wall fixations
- Low flushing 4,5/3 litres
- Easy removable seat



AquaBlade™ wall-hung bowl

Available in July 2015

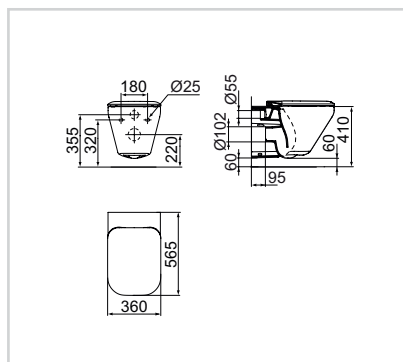


Model	Ref.
White	K316601

- New Ideal Standard AquaBlade™ technology
- Slim seat
- Fully hidden wall fixations
- Low flushing 4,5/3 litres
- Easy removable seat

Model	Ref.
White	K316701

- New Ideal Standard AquaBlade™ technology
- Slim seat soft closing
- Fully hidden wall fixations
- Low flushing 4,5/3 litres
- Easy removable seat



AquaBlade™ Floorstanding back to wall bowl

Available in July 2015

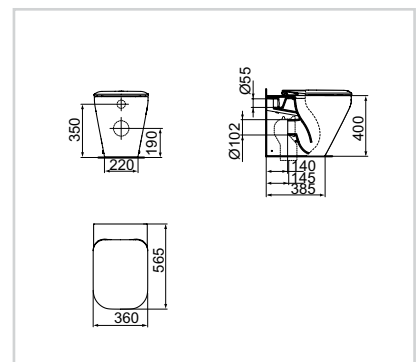


Model	Ref.
White	K317201

- New Ideal Standard AquaBlade™ technology
- Slim seat
- Easy removable seat
- Low flushing 4,5/3 litres
- Horizontal outlet
- Can be transformed in Vertical outlet (VO)

Model	Ref.
White	K317301

- New Ideal Standard AquaBlade™ technology
- Slim seat soft closing
- Low flushing 4,5/3 litres
- Easy removable seat
- Horizontal outlet
- Can be transformed in Vertical outlet (VO)



AquaBlade™ Close-couple back to wall bowl

Available in July 2015

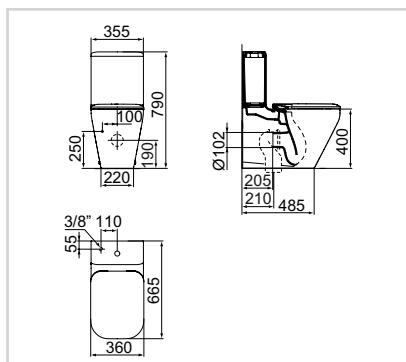


Model	Ref.
White	K316801

- New Ideal Standard AquaBlade™ technology
- Horizontal outlet
- Can be transformed in Vertical outlet (VO)
- Slim seat
- Easy removable seat
- Tank bottom inlet valve - K404901 (order separately)
- Low flushing 4,5/3 litres

Model	Ref.
White	K316901

- New Ideal Standard AquaBlade™ technology
- Horizontal outlet
- Can be transformed in Vertical outlet (VO)
- Slim seat soft closing
- Easy removable seat
- Tank bottom inlet valve - K404901 (order separately)
- Low flushing 4,5/3 litres



AquaBlade™ Close-couple open bowl

Available in July 2015

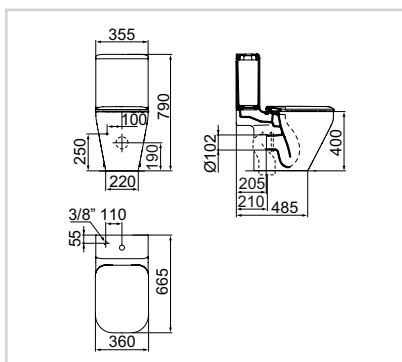


Model	Ref.
White	K317001

- New Ideal Standard AquaBlade™ technology
- Horizontal outlet
- Can be transformed in Vertical outlet (VO)
- Slim seat
- Easy removable seat
- Tank bottom inlet valve - K404901 (order separately)
- Low flushing 4,5/3 litres

Model	Ref.
White	K317101

- New Ideal Standard AquaBlade™ technology
- Horizontal outlet
- Can be transformed in Vertical outlet (VO)
- Slim seat soft closing
- Easy removable seat
- Tank bottom inlet valve - K404901 (order separately)
- Low flushing 4,5/3 litres



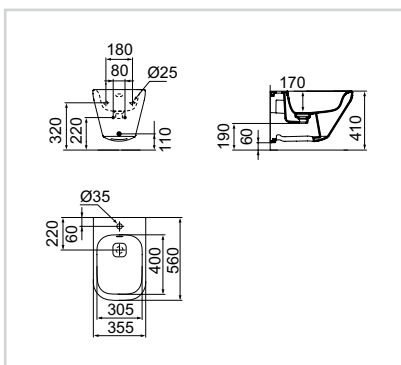
BIDETS

Wall-hung bidet



Model	Ref.
White	K523601

- Ceramic waste cover
- Fully hidden fixations
- Oval overflow

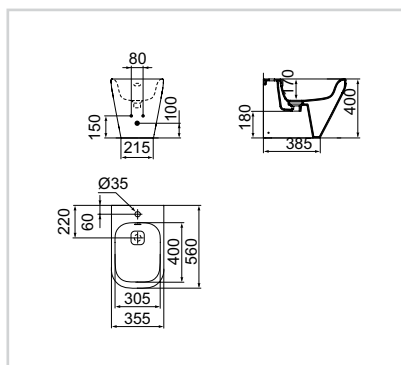


Floorstanding bidet



Model	Ref.
White	K523801

- Ceramic waste cover
- Fully hidden fixations
- Oval overflow



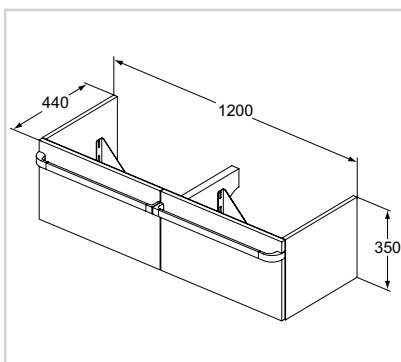


FURNITURE

Basin storage unit
1200mm

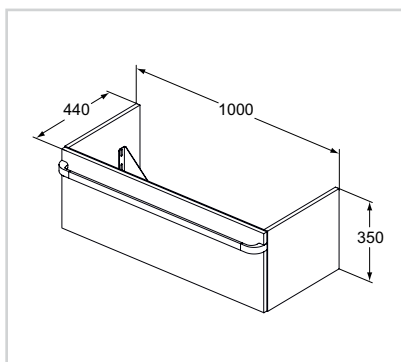
Model	Ref.
Glossy white	R4305WG
Glossy light grey	R4305FA
Glossy light brown	R4305FC
Wood light brown	R4305FF
Wood light grey	R4305FE

- 2 drawers with soft closing
- Range available in various finishes - for detail, refer to the finishes on p. 22
- 2 white dividers removable
- 4 transparent boxes with lid removable
- Coloured antislip plastic mat in 2 colours: light grey or light brown
- 2 LED light IP44 included with sensor - rechargeable by USB
- Space Idealflow system included
- Wall mounted installation
- Handle 1200mm in metal sold separately in 3 different finishes: glossy white, chrome plated or mat brown with soft touch effect
- To be used in combination with Vanity K0870 or K0871 or Vessel symmetric K0834 with required glass white worktop R4333SA and wall mixer

Basin storage unit
1000mm

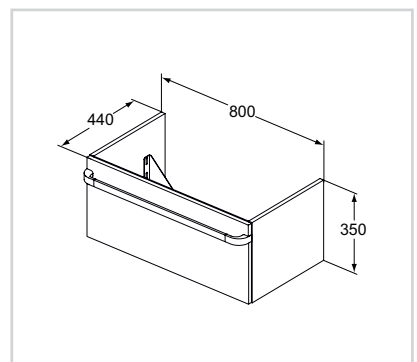
Model	Ref.
Glossy white	R4304WG
Glossy light grey	R4304FA
Glossy light brown	R4304FC
Wood light brown	R4304FF
Wood light grey	R4304FE

- 1 drawer with soft closing
- Range available in various finishes - for detail, refer to the finishes on p. 22
- 2 white dividers removable
- 4 transparent boxes with lid removable
- Coloured antislip plastic mat in 2 colours: light grey or light brown
- 2 LED light IP44 included with sensor - rechargeable by USB
- Space Idealflow system included
- Wall mounted installation
- Handle 1000mm in metal sold separately in 3 different finishes: glossy white, chrome plated or mat brown with soft touch effect
- To be used in combination with Vanity K0862 or Vessel symmetric K0834 with required glass white worktop R4332SA or Vessel asymmetric K0833 with required glass white worktop R4336SA

Basin storage unit
800mm

Model	Ref.
Glossy white	R4303WG
Glossy light grey	R4303FA
Glossy light brown	R4303FC
Wood light brown	R4303FF
Wood light grey	R4303FE

- 1 drawer with soft closing
- Range available in various finishes - for detail, refer to the finishes on p. 22
- 2 white dividers removable
- 4 transparent boxes with lid removable
- Coloured antislip plastic mat in 2 colours: light grey or light brown
- 1 LED light IP44 included with sensor - rechargeable by USB
- Space Idealflow system included
- Wall mounted installation
- Handle 800mm in metal sold separately in 3 different finishes: glossy white, chrome plated or mat brown with soft touch effect
- To be used in combination with Vanity K0839 or Vessel symmetric K0834 with required glass white worktop R4331SA or Vessel asymmetric K0833 with required glass white worktop R4335SA or open shelf R4343WG

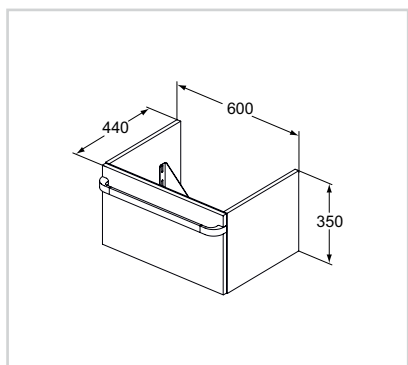


Basin storage unit 600mm



Model	Ref.
Glossy white	R4302WG
Glossy light grey	R4302FA
Glossy light brown	R4302FC
Wood light brown	R4302FF
Wood light grey	R4302FE

- 1 drawer with soft closing
- Range available in various finishes - for detail, refer to the finishes on p. 22
- 1 white divider removable
- 2 transparent boxes with lid removable
- Coloured antislip plastic mat in 2 colours: light grey or light brown
- 1 LED light IP44 included with sensor - rechargeable by USB.
- Space Idealflow system included
- Wall mounted installation
- Handle 600mm in metal sold separately in 3 different finishes: glossy white, chrome plated or mat brown with soft touch effect
- To be used in combination with Vanity K0837 or Vessel symmetric K0834 with required glass white worktop R4330SA and wall mixer or open shelf R4342WG

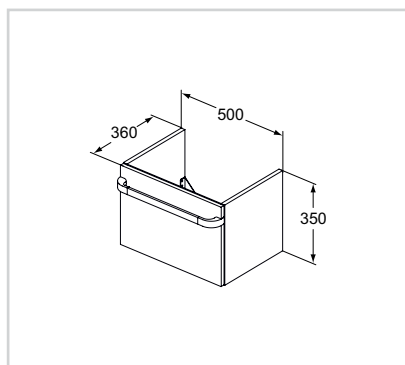


Basin storage unit 500mm



Model	Ref.
Glossy white	R4301WG
Glossy light grey	R4301FA
Glossy light brown	R4301FC
Wood light brown	R4301FF
Wood light grey	R4301FE

- Short projection
- 1 drawer with soft closing
- Range available in various finishes - for detail, refer to the finishes on p. 22
- 1 white divider removable
- 2 transparent boxes with lid removable
- Coloured antislip plastic mat in 2 colours: light grey or light brown
- 1 LED light IP44 included with sensor - rechargeable by USB
- Wall mounted installation
- Handle 500mm in metal sold separately
- To be used in combination with Vanity K0868 or open shelf R4341WG



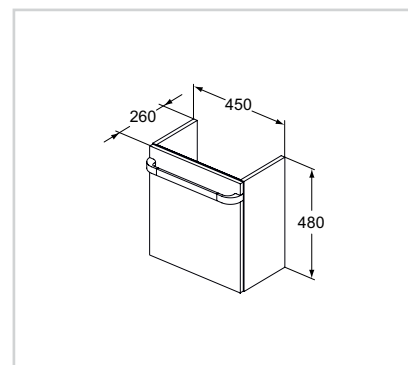
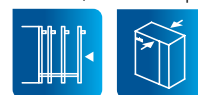
Guest basin unit 450mm (left and right platform)



Model	Ref.
Right platform	
Glossy white	R4306WG
Glossy light grey	R4306FA
Glossy light brown	R4306FC
Wood light brown	R4306FF
Wood light grey	R4306FE

Model	Ref.
Left platform	
Glossy white	R4318WG
Glossy light grey	R4318FA
Glossy light brown	R4318FC
Wood light brown	R4318FF
Wood light grey	R4318FE

- 1 door with soft closing - left or right versions
- Range available in various finishes - for detail, refer to the finishes on p. 22
- Space Idealflow system included
- Wall mounted installation
- Handle 450mm in metal sold separately in 3 different finishes: glossy white, chrome plated or mat brown with soft touch effect
- To be used in combination with Guest basin K0866, K0867 or open shelf



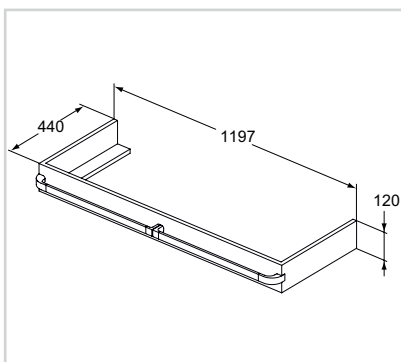
FURNITURE

Basin structure 1200mm for vanities, vessels or shelves



Model	Ref.
Glossy white	R4313WG
Glossy light grey	R4313FA
Glossy light brown	R4313FC
Wood light brown	R4313FF
Wood light grey	R4313FE

- Wall mounted with 2 sides installation: one side for vanities, other side for worktops
- To be installed with or without design handle R4361 - 1200mm (sold separately in 3 different finishes to combine: white, chrome plated or brown)
- To be installed with vanity K0873, K0874 or Vessel symmetric K0834 with required glass white worktop R4333SA and wall mixer or alone without basin as shelf with worktop R4324

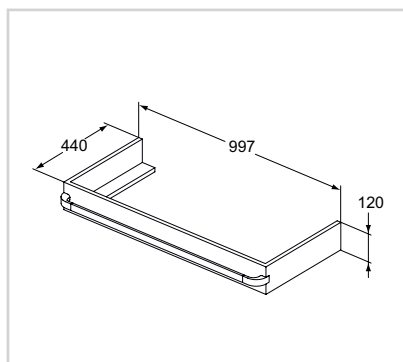


Basin structure 1000mm for vanities, vessels or shelves



Model	Ref.
Glossy white	R4312WG
Glossy light grey	R4312FA
Glossy light brown	R4312FC
Wood light brown	R4312FF
Wood light grey	R4312FE

- Wall mounted with 2 sides installation: one side for vanities, other side for worktops
- To be installed with or without design handle R4360 - 1000mm (sold separately in 3 different finishes to combine: white, chrome plated or brown)
- To be installed with vanity K0872 or Vessel symmetric K0834 with required glass white worktop R4332SA and wall mixer or Vessel asymmetric K0833 with required glass white worktop R4336SA or alone without basin as shelf with worktop R4323



Basin structure 800-600mm for vanities, vessels or shelves

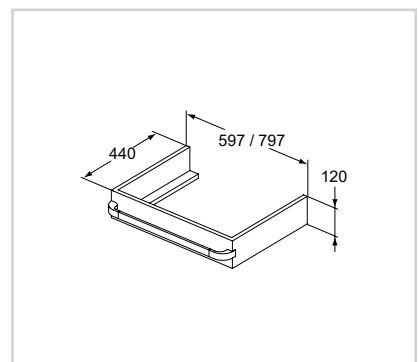


Model	Ref.
Glossy white	R4311WG
Glossy light grey	R4311FA
Glossy light brown	R4311FC
Wood light brown	R4311FF
Wood light grey	R4311FE

- Wall mounted with 2 sides installation: one side for vanities, other side for worktops
- To be installed with or without design handle R4359 - 800mm (sold separately in 3 different finishes to combine: white, chrome plated or brown)
- To be installed with vanity basin K0879 or Vessel symmetric K0834 with required glass white worktop R4331SA or Vessel asymmetric K0833 with required glass white worktop R4335SA or alone without basin as shelf with worktop R4322

Model	Ref.
Glossy white	R4310WG
Glossy light grey	R4310FA
Glossy light brown	R4310FC
Wood light brown	R4310FF
Wood light grey	R4310FE

- Wall mounted with 2 sides installation: one side for vanities, other side for worktops
- To be installed with or without design handle R4358 - 600mm (sold separately in 3 different finishes to combine: white, chrome plated or brown)
- To be installed with vanity K0878 or Vessel symmetric K0834 with required glass white worktop R4330SA or alone without basin as shelf with worktop R4321

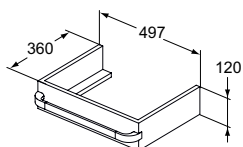


Basin structure 500mm for vanities, vessels or shelves



Model	Ref.
Glossy white	R4309WG
Glossy light grey	R4309FA
Glossy light brown	R4309FC
Wood light brown	R4309FF
Wood light grey	R4309FE

- Space-saving: only 36 cm depth
- Wall mounted with 2 sides installation: one side for vanities, other side for worktops
- To be installed with or without design handle R4357 - 500mm (sold separately in 3 different finishes to combine: white, chrome plated or brown)
- To be installed with Vanity K0868 (with taphole and with overflow) or alone without basin as shelf with worktop R4320

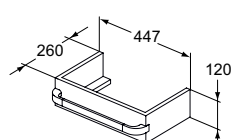


Basin structure 450mm for vanities, vessels or shelves



Model	Ref.
Glossy white	R4314WG
Glossy light grey	R4314FA
Glossy light brown	R4314FC
Wood light brown	R4314FF
Wood light grey	R4314FE

- Wall mounted with 2 sides installation: one side for vanities, other side for worktops
- To be installed with or without design handle R4356 - 450mm (sold separately in 3 different finishes to combine: white, chrome plated or brown)
- To be installed with Guest basin K0875 (with left taphole platform) or Guest basin K0876 (with right taphole platform) or alone without basin as shelf with worktop R4338

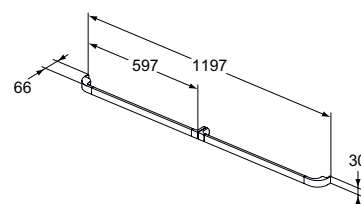


Handle 1200mm



Model	Ref.
Chrome-plated	R4361AA
Glossy white	R4361WG
Brown	R4361FM

- Design Metal handle 1200mm with double function: handle and towel bar
- 3 finishes: glossy white, chrome plated or brown with soft touch effect



FURNITURE

Handle 1000 - 800 - 600mm



Model	Ref.
Chrome-plated	R4360AA
Glossy white	R4360WG
Brown	R4360FM

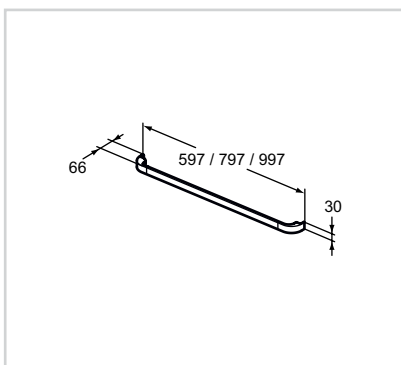
- Design Metal handle 1000mm with double function: handle and towel bar
- 3 finishes: glossy white, chrome plated or brown with soft touch effect

Model	Ref.
Chrome-plated	R4359AA
Glossy white	R4359WG
Brown	R4359FM

- Design Metal handle 800mm with double function: handle and towel bar
- 3 finishes: glossy white, chrome plated or brown with soft touch effect

Model	Ref.
Chrome-plated	R4358AA
Glossy white	R4358WG
Brown	R4358FM

- Design Metal handle 600mm with double function: handle and towel bar
- 3 finishes: glossy white, chrome plated or brown with soft touch effect NB: 1 handle 600mm needed for column 600mm



Handle 500 - 450 - 350mm



Model	Ref.
Chrome-plated	R4357AA
Glossy white	R4357WG
Brown	R4357FM

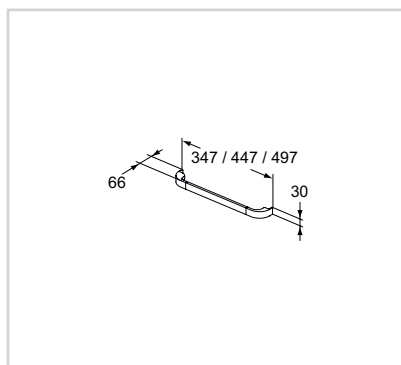
- Design Metal handle 500mm with double function: handle and towel bar
- 3 finishes: glossy white, chrome plated or brown with soft touch effect

Model	Ref.
Chrome-plated	R4356AA
Glossy white	R4356WG
Brown	R4356FM

- Design Metal handle 450mm with double function: handle and towel bar
- 3 finishes: glossy white, chrome plated or brown with soft touch effect

Model	Ref.
Chrome-plated	R4355AA
Glossy white	R4355WG
Brown	R4355FM

- Design Metal handle 350mm with double function: handle and towel bar
- 3 finishes: glossy white, chrome plated or brown with soft touch effect NB: 2 handles 350mm needed for column 350mm



Worktop for basin structure 1200 - 1000mm

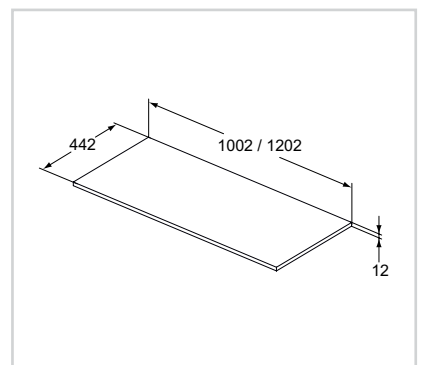


Model	Ref.
Glossy white	R4324WG
Glossy light grey	R4324FA
Glossy light brown	R4324FC
Wood light brown	R4324FF
Wood light grey	R4324FE

- To be used with basin structure 1200mm for shelf installation
- Can be used for Vessel installation: hole being done by the installer, giving total flexibility

Model	Ref.
Glossy white	R4323WG
Glossy light grey	R4323FA
Glossy light brown	R4323FC
Wood light brown	R4323FF
Wood light grey	R4323FE

- To be used with basin structure 1000mm for shelf installation
- Can be used for Vessel installation: hole being done by the installer, giving total flexibility



Worktop for basin structure 800 - 600mm

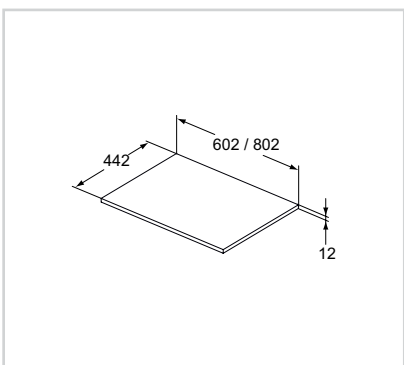


Model	Ref.
Glossy white	R4322WG
Glossy light grey	R4322FA
Glossy light brown	R4322FC
Wood light brown	R4322FF
Wood light grey	R4322FE

- To be used with basin structure 800mm for shelf installation
- Can be used for Vessel installation: hole being done by the installer, giving total flexibility

Model	Ref.
Glossy white	R4321WG
Glossy light grey	R4321FA
Glossy light brown	R4321FC
Wood light brown	R4321FF
Wood light grey	R4321FE

- To be used with basin structure 600mm for shelf installation
- Can be used for Vessel installation: hole being done by the installer, giving total flexibility

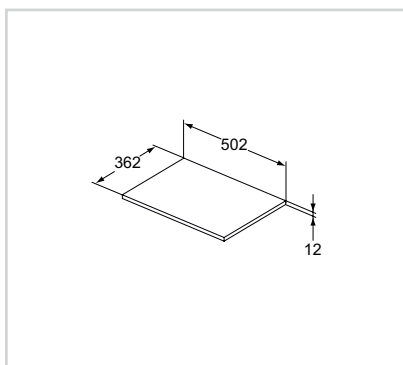


Worktop for basin structure 500mm



Model	Ref.
Glossy white	R4320WG
Glossy light grey	R4320FA
Glossy light brown	R4320FC
Wood light brown	R4320FF
Wood light grey	R4320FE

- To be used with basin structure 500mm for shelf installation
- Can be used for Vessel installation: hole being done by the installer, giving total flexibility

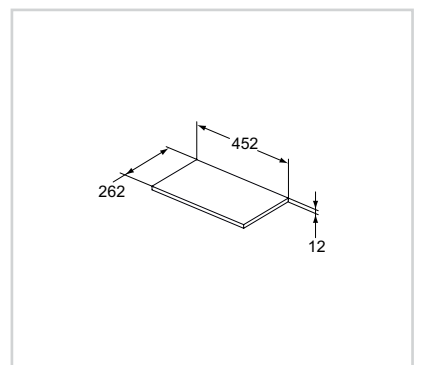


Worktop for basin structure 450mm



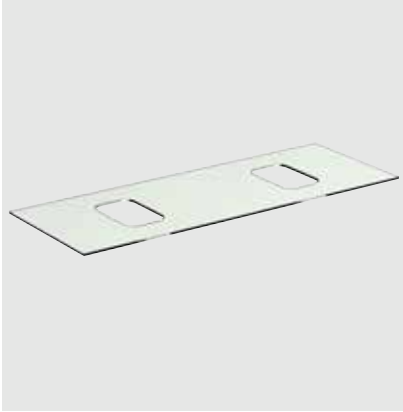
Model	Ref.
Glossy white	R4338WG
Glossy light grey	R4338FA
Glossy light brown	R4338FC
Wood light brown	R4338FF
Wood light grey	R4338FE

- To be used with basin structure 450mm for shelf installation
- Can be used for Vessel installation: hole being done by the installer, giving total flexibility



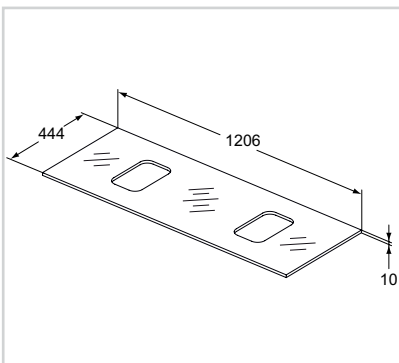
FURNITURE

Worktop for symmetric vessel 1200mm



Model	Ref.
1200mm	R4333SA

- Tempered glass in white finish
- Thickness 10mm
- Fully compatible with Tonic II symmetric Vessel
- For vessel installation on basin unit or basin structure 1200mm
- Without tap hole fitting for built in fitting



Worktop for symmetric vessel 1000 - 800mm

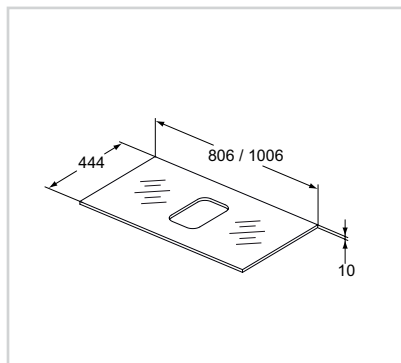


Model	Ref.
1000mm	R4332SA

- Tempered glass in white finish
- Thickness 10mm
- Fully compatible with Tonic II symmetric Vessel
- For vessel installation on basin unit or basin structure 1000mm
- Without tap hole fitting for built in fitting

Model	Ref.
800mm	R4331SA

- Tempered glass in white finish
- Thickness 10mm
- Fully compatible with Tonic II symmetric Vessel
- For vessel installation on basin unit or basin structure 800mm
- Without tap hole fitting for built in fitting

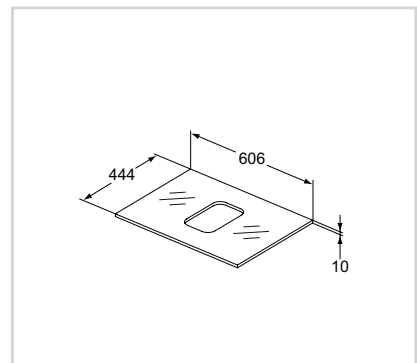


Worktop for symmetric vessel 600mm

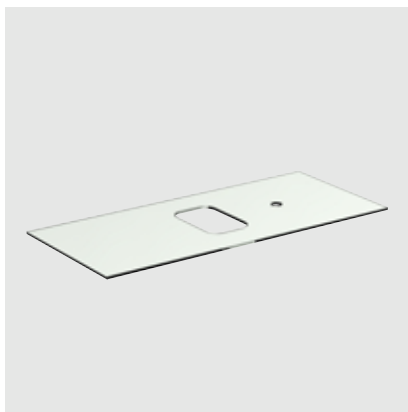


Model	Ref.
600mm	R4330SA

- Tempered glass in white finish
- Thickness 10mm
- Fully compatible with Tonic II symmetric Vessel
- For vessel installation on basin unit or basin structure 600mm
- Without tap hole fitting for built in fitting



Worktop for asymmetric vessel 1000 - 800mm

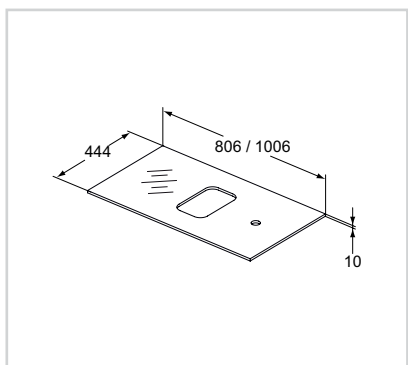


Model	Ref.
1000mm	R4336SA

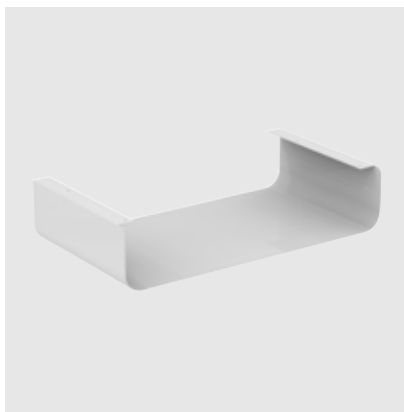
- Tempered glass in white finish
- Thickness 10mm
- Fully compatible with Tonic II asymmetric Vessel
- For vessel installation on basin unit or basin structure 1000mm
- With tap hole

Model	Ref.
800mm	R4335SA

- Tempered glass in white finish
- Thickness 10mm
- Fully compatible with Tonic II asymmetric Vessel
- For vessel installation on basin unit or basin structure 800mm
- With tap hole



Open shelf 800 - 600mm

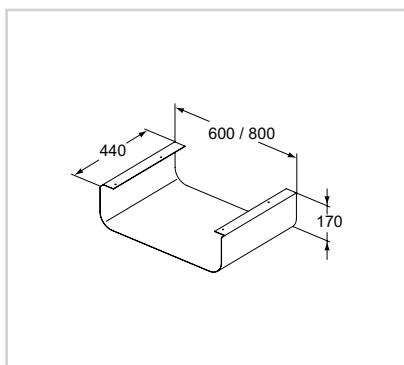


Model	Ref.
Glossy white	R4343WG

- Metal in white finish
- For installation below basin unit 800mm

Model	Ref.
Glossy white	R4342WG

- Metal in white finish
- For installation below basin unit 600mm

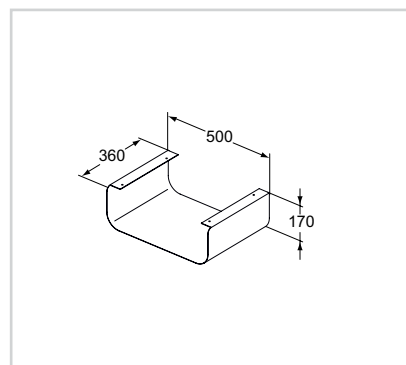


Open shelf 500mm



Model	Ref.
Glossy white	R4341WG

- Metal in white finish
- For installation below basin unit 500mm

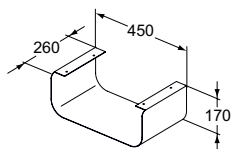


FURNITURE

Open shelf
450mm

Model	Ref.
Glossy white	R4344WG

- Metal in white finish
- For installation below basin unit 450mm

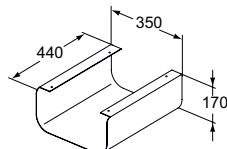


Open shelf 350mm



Model	Ref.
Glossy white	R4340WG

- Metal in white finish
- For installation below basin unit 350mm

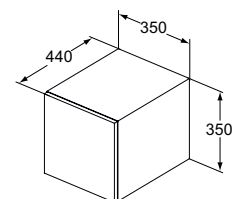


Side unit 350mm



Model	Ref.
Glossy white	R4307WG
Glossy light grey	R4307FA
Glossy light brown	R4307FC
Wood light brown	R4307FF
Wood light grey	R4307FE

- Wall mounted installation
- 1 drawer with push & open system
- Coloured antislip plastic mat in 2 colours to combine: light grey or light brown
- To be used in combination with all basin units or basin structures

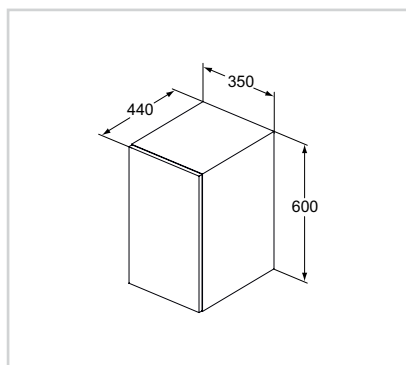


Side unit 600mm



Model	Ref.
Glossy white	R4308WG
Glossy light grey	R4308FA
Glossy light brown	R4308FC
Wood light brown	R4308FF
Wood light grey	R4308FE

- Wall mounted installation
- 1 door with push&open system
- Left hand opening only
- Internal
- To be used in combination with all basin units or basin structures

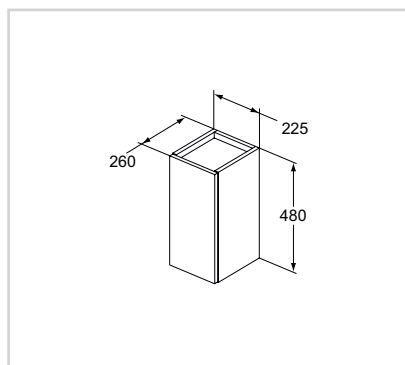


Guest side unit



Model	Ref.
Glossy white	R4317WG
Glossy light grey	R4317FA
Glossy light brown	R4317FC
Wood light brown	R4317FF
Wood light grey	R4317FE

- Wall mounted installation
- 1 door with soft closing
- 1 internal glass shelf
- Open space on top for an easy access to your belongings
- Right hand opening only
- Glass top for water resistance

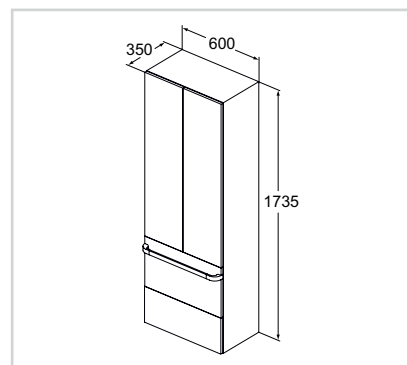


High cabinet 600mm



Model	Ref.
Glossy white	R4316WG
Glossy light grey	R4316FA
Glossy light brown	R4316FC
Wood light brown	R4316FF
Wood light grey	R4316FE

- Wall mounted installation
- 2 doors with push & open system
- 3 internal glass shelves
- 2 drawers: top one with handle and soft-close, bottom one with push&open system
- Coloured antislip plastic mat inside the drawers in 2 colours to combine: light grey and light brown
- Design handle 600mm in metal needed - sold separately in 3 different finishes to combine: glossy white, chrome plated or mat brown with soft touch effect



FURNITURE

High cabinet 350mm



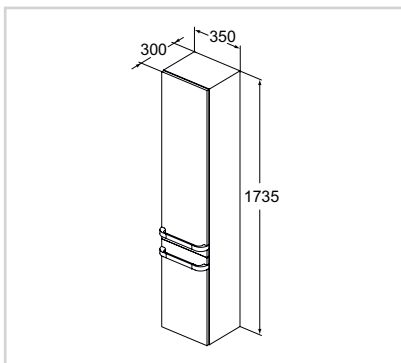
Model Right Handed Ref.

Glossy white	R4315WG
Glossy light grey	R4315FA
Glossy light brown	R4315FC
Wood light brown	R4315FF
Wood light grey	R4315FE

Model Left handed Ref.

Glossy white	R4319WG
Glossy light grey	R4319FA
Glossy light brown	R4319FC
Wood light brown	R4319FF
Wood light grey	R4319FE

- Wall mounted installation
- 2 doors with soft closing
- 3 internal glass shelves behind the top door, 1 glass shelf behind the bottom door
- 2 design handles 350mm in metal needed - sold separately in 3 different finishes to combine: glossy white, chrome plated or mat brown with soft touch effect



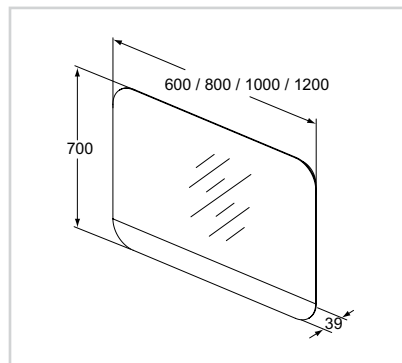
Antisteam mirror with light 1200 - 1000 - 800 - 600mm



Model Ref.

1200mm	R4348KP
1000mm	R4347KP
800mm	R4346KP
600mm	R4345KP

- Antisteam system
- LED light all around the mirror with integrated sensor
- Certified IP44
- Inox finish stripe at the bottom of the mirror



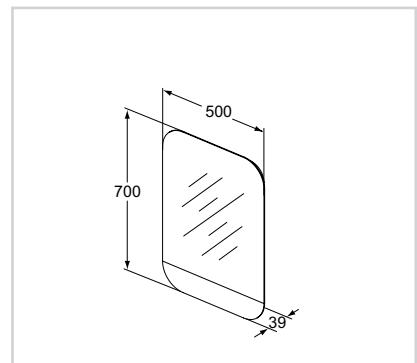
Mirror with light 500mm



Model Ref.

500mm	R4345KP
-------	---------

- LED light all around the mirror with integrated sensor
- Certified IP44
- Inox finish stripe at the bottom of the mirror



LED light



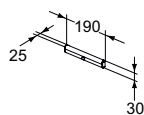
Model

Light

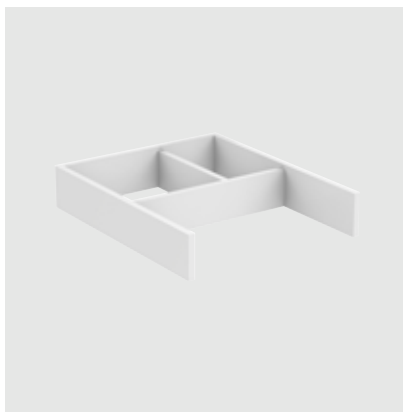
Ref.

R1753AA

- LED light IP44 certified



Divider

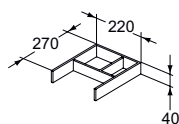


Model

Divider

Ref.

R4337WG



Transparent box with lid

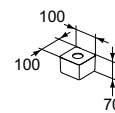


Model

Box

Ref.

RV05667

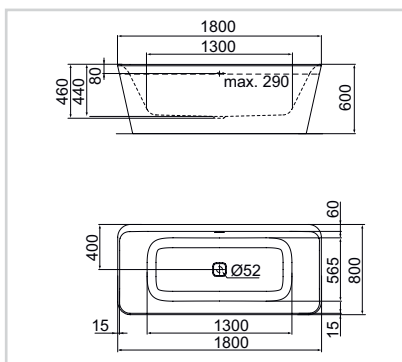


BATHING

Freestanding
Double-Ended Bathtub

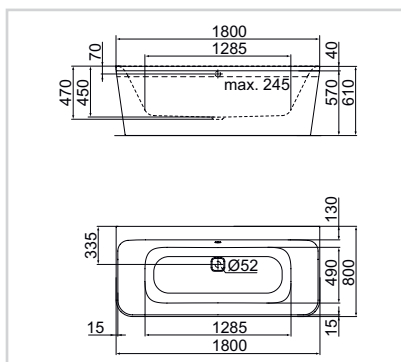
Model	Ref.
1800 x 800mm	E398101

- One piece acrylic bathtub
- Click-Clack waste and overflow device included
- Slot overflow

D-shaped
Double-Ended Bathtub

Model	Ref.
180 x 800mm	E397801

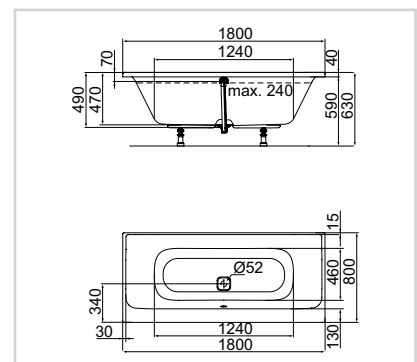
- Complete set bathtub: Click-Clack waste and overflow device, legset, one curved front panel and fixation included

Rectangular
Double-Ended Bathtub
for drop-in

Model	Ref.
1800 x 800mm	E397601

- Click-Clack waste and overflow device included

- Recommended optionals:
- fixation set (legset plus rim fixation K717467



Rectangular Single-Ended Bathtub for drop-in



Model

1700 x 750mm

Ref.

E397201

- Click-Clack waste and overflow device included

Recommended optionals:

- fixation set (legset plus rim fixation K717467

Rectangular Single-Ended Bathtub for drop-in



Model

1800 x 800mm

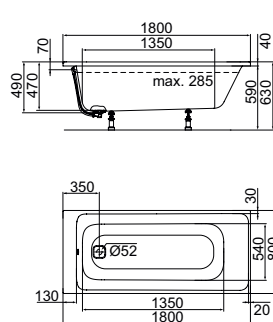
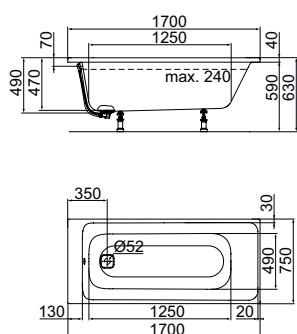
Ref.

E397401

- Click-Clack waste and overflow device included

Recommended optionals:

- fixation set (legset plus rim fixation K717467



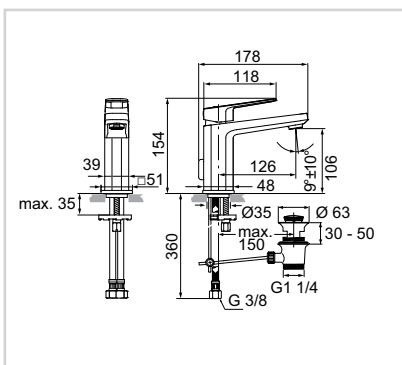
FITTINGS

Basin mixer with pop-up waste



Model	Ref.
Basin mixer	A6326AA

- 28mm cartridge
- Temperature limiter
- Adjustable cascade aerator M24 5L/min
- Easy Fix
- Flexible hose G3/8 connection
- Metal pop-up waste
- Chrome

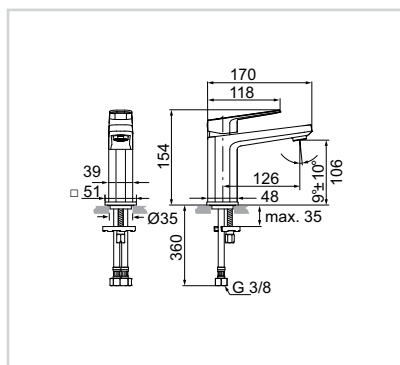


Basin mixer without pop-up waste



Model	Ref.
Basin mixer	A6327AA

- 28mm cartridge
- Temperature limiter
- Adjustable cascade aerator M24 5L/min
- Easy Fix
- Flexible hose G3/8 connection
- Chrome

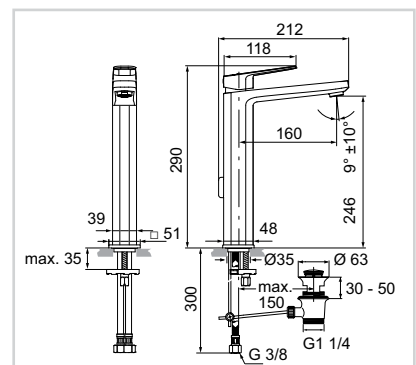


Basin Vessel mixer with pop-up waste



Model	Ref.
Basin Vessel mixer	A6328AA

- 28mm cartridge
- Temperature limiter
- Adjustable cascade aerator M24 5L/min
- Easy Fix
- Flexible hose G3/8 connection
- Metal pop-up waste
- Chrome

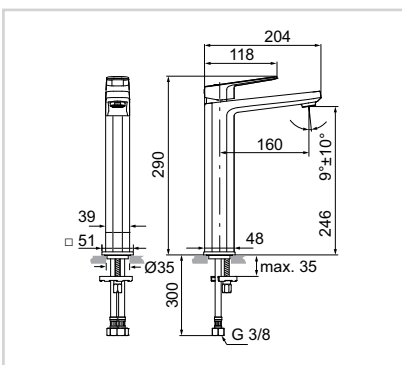


Basin Vessel mixer without pop-up waste



Model	Ref.
Basin Vessel mixer	A6329AA

- 28mm cartridge
- Temperature limiter
- Adjustable cascade aerator M24 5L/min
- Easy Fix
- Flexible hose G3/8 connection
- Chrome

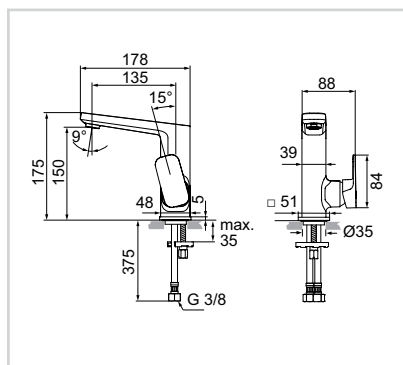


Basin high spout mixer without pop-up waste



Model	Ref.
Basin high spout mixer	A6333AA

- 28mm cartridge
- Temperature limiter
- Adjustable cascade aerator M24 5L/min
- Easy Fix
- Flexible hose G3/8 connection
- Chrome

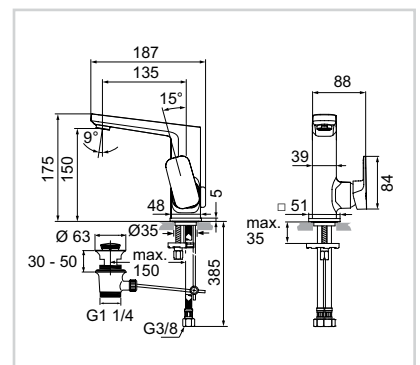


Basin high spout mixer with pop-up waste



Model	Ref.
Basin high spout mixer	A6332AA

- 28mm cartridge
- Temperature limiter
- Adjustable cascade aerator M24 5L/min
- Easy Fix
- Flexible hose G3/8 connection
- Metal pop-up waste
- Chrome



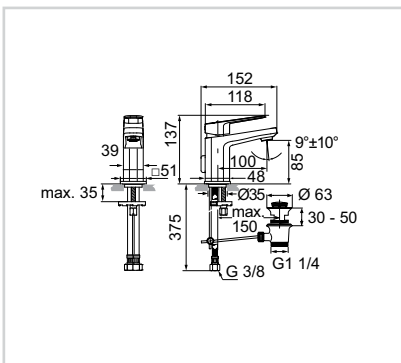
FITTINGS

Basin mixer PICCOLO with pop-up waste



Model	Ref.
Basin mixer	A6330AA

- 28mm cartridge
- Temperature limiter
- Adjustable cascade aerator M24 5L/min
- Easy Fix
- Flexible hose G3/8 connection
- Metal pop-up waste
- Chrome

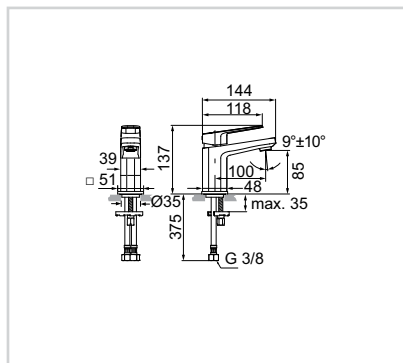


Basin mixer PICCOLO without pop-up waste



Model	Ref.
Basin mixer	A6331AA

- 28mm cartridge
- Temperature limiter
- Adjustable cascade aerator M24 5L/min
- Easy Fix
- Flexible hose G3/8 connection
- Chrome

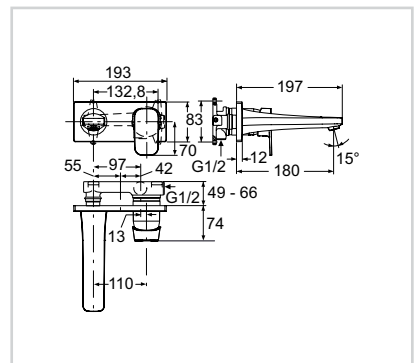


Basin mixer built-in



Model	Ref.
Basin mixer built-in	A6334AA

- Metal escutcheon
- Spout 180mm
- 47mm cartridge
- Temperature limiter
- Adjustable cascade aerator M24 5L/min
- Suitable for kit 1 A5948NU
- Chrome

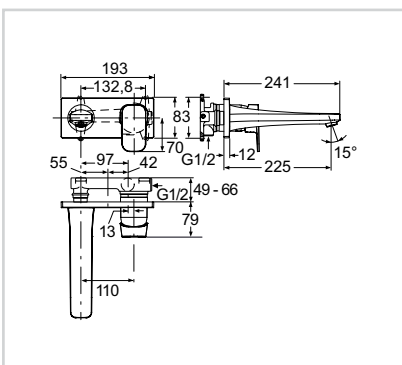


Basin mixer built-in



Model	Ref.
Basin mixer built-in	A6335AA

- Metal escutcheon
- Spout 225 mm
- 47mm cartridge
- Temperature limiter
- Adjustable cascade aerator M24 5L/min
- Suitable for kit 1 A5948NU
- Chrome

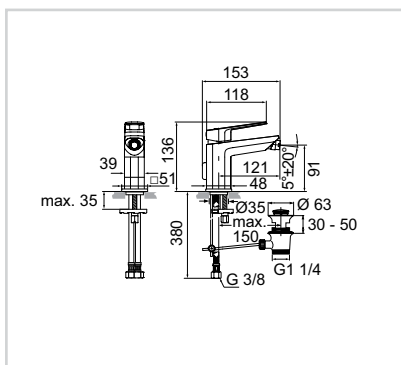


Bidet mixer with pop-up waste



Model	Ref.
Bidet mixer	A6336AA

- 28mm cartridge
- Temperature limiter
- Adjustable cascade aerator M16 5L/min
- Easy Fix
- Flexible hose G3/8 connection
- Metal pop-up waste
- Chrome

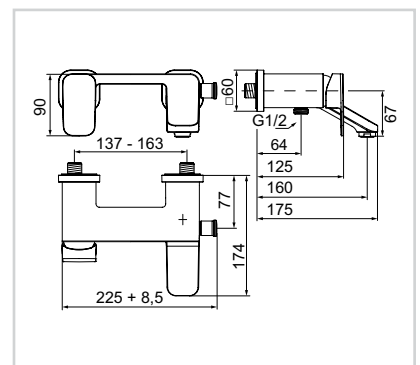


Bath/Shower mixer wall mounted



Model	Ref.
Bath/Shower mixer	A6338AA

- Multiport cartridge
- Temperature limiter
- Automatic diverter
- Including escutcheons and S-connection
- Integrated check valve
- Chrome



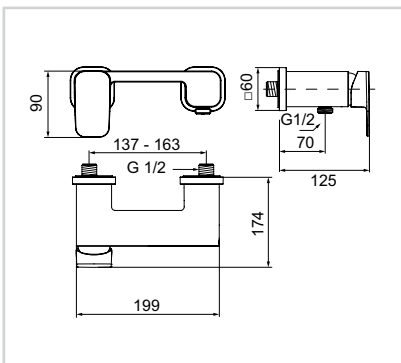
FITTINGS

Shower Mixer Wall Mounted



Model	Ref.
Basin mixer built-in	A6337AA

- Multiport cartridge
- Temperature limiter
- Including escutcheons and Sconnection
- Integrated check valve
- Chrome

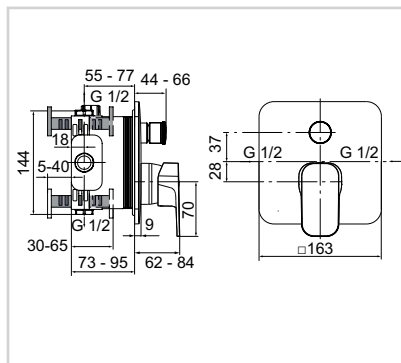


Bath/Shower mixer built-in Kit 2



Model	Ref.
Bath/Shower mixer built-in	A6340AA

- 47 mm cartridge
- Temperature limiter
- Click technology
- Automatic diverter
- Suitable for Kit 1 A1000NU
- Ultra thin metal escutcheon
- Chrome

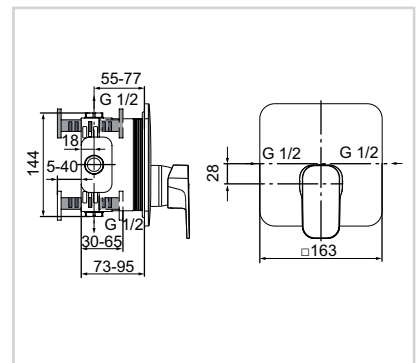


Shower mixer built-in Kit 2

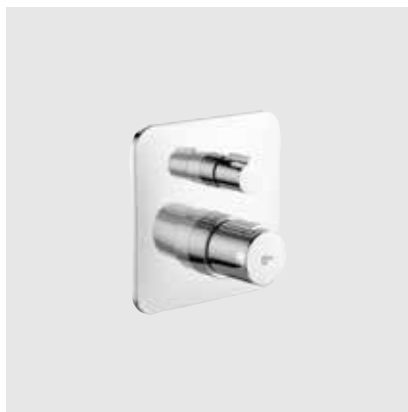


Model	Ref.
Shower mixer built-in	A6339AA

- 47 mm cartridge
- Temperature limiter
- Click technology
- Suitable for Kit 1 A1000NU
- Ultra thin metal escutcheon
- Chrome



Thermostatic built-in shower mixer, Kit 2

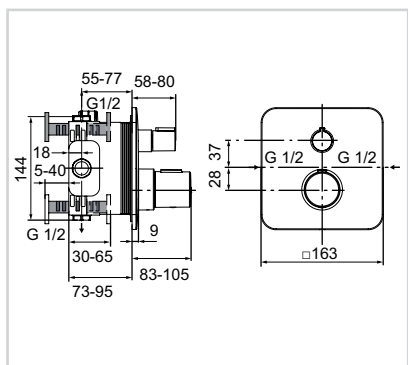


Model

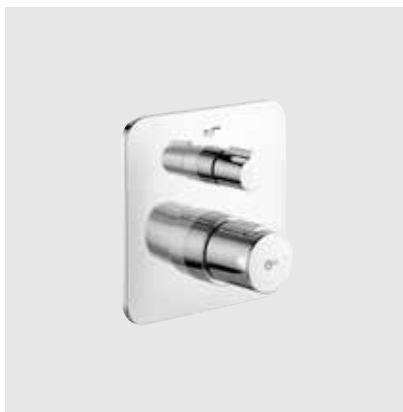
Ref.

Thermostatic built-in shower mixer
A6344AA

- Thermostat cartridge
- Shut-off valve
- Check valve
- Suitable for Kit 1 A1000NU
- Ultra thin metal escutcheon
- Chrome



Thermostatic built-in Bath/Shower mixer, Kit 2

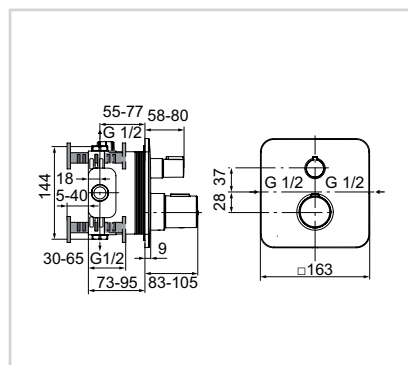


Model

Ref.

Thermostatic built-in Bath/Shower mixer
A6345AA

- Thermostat cartridge
- Shut-off and diverter valve
- Check valves
- Ultra thin metal escutcheon
- Suitable for kit 1 A1000NU
- Chrome



Freestanding Bath/Shower mixer Kit 2

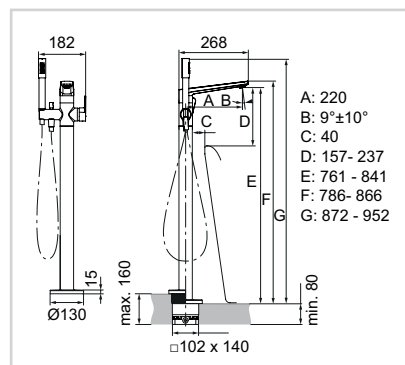


Model

Ref.

Freestanding Bath/Shower mixer
A6347AA

- Multiport cartridge
- Temperature limiter
- Automatic diverter
- Adjustable cascade Aerator M24X1
- Handspray
- Handspray holder
- Shower hose Idealflex 1250mm
- Suitable for kit 1 A6133NU
- Chrome



FITTINGS

Bath/Shower mixer 3-hole with spout rim mounted



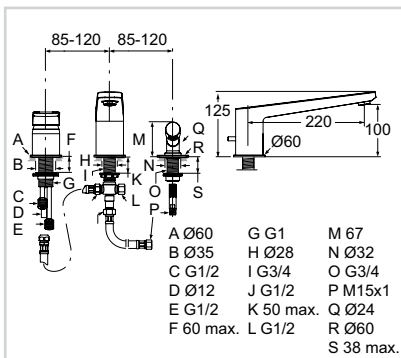
Model

Ref.

Bath/Shower mixer rim mounted

A6348AA

- Multiport cartridge
- Temperature limiter
- Spout with integrated pull diverter
- Cascade aerator
- Handspray 8L/min
- Flexible hose
- Chrome



Bath/Shower mixer 3 hole without spout rim mounted



Model

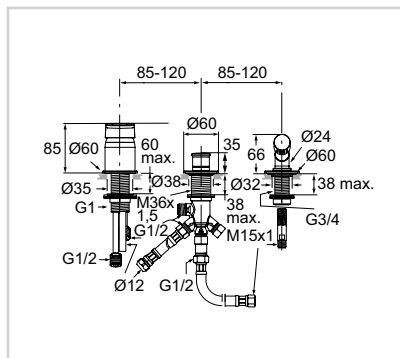
Ref.

Bath/Shower mixer rim mounted

A6349AA

- Multiport cartridge
- Temperature limiter
- Handspray
- Handspray holder
- Flexible hose
- Automatic diverter
- Chrome

To be used only in combination with Multiplex Trio





Ideal Standard-Vidima AD

53 Marin Popov Street

5400 Sevlievo, Bulgaria

Tel: +359 675 30362

Fax: +359 675 30814

office@idealstandard.com

Representative office, Riga

A. Briana str. 9a,

Riga, LV- 1001, Latvia

Tel: +371 673 57 792

Fax: +371 673 57 795

vdorogoi@IdealStandard.com

Representative Office, Bucharest

Cotroceni Business Center

Bd. Iuliu Maniu, nr 7, corp T,

Floor 2, office A1, Sector 6

061072 Bucharest, Romania

Tel/Fax: +40 21 322 3201

Tel/Fax: +40 21 322 3202

OfficeBucharest@idealstandard.com

Ideal Standard Polska Sp. z o.o.

7, Ostrowskiego Str.

53-238 Wroclaw, Poland

Tel: +48 71 79 55074

Fax: +48 71 79 55070

dzialhandlowy@idealstandard.pl

Representative office, Belgrade

Drinčićeva no.19, apartment no.8

11000 Belgrade, Serbia

Tel/Fax: + 381 11 7138 058

+ 381 11 7138 059

OBelgrade@IdealStandard.com

Representative Office, Budapest

IS-Hun Kft

1113 Budapest

Vincellér u 20

Tel: + 36 30 6991 594

zgarai@idealstandard.com

Contact for Slovenia and Croatia

Tel: +39 3356121475

cfurmenti@gmail.com

Contact for Albania, Kosovo

and Bosnia & Herzegovina

Tel: +359 887709696

imichev@idealstandard.com



A
BEAUTIFUL
USE
OF
SPACE